

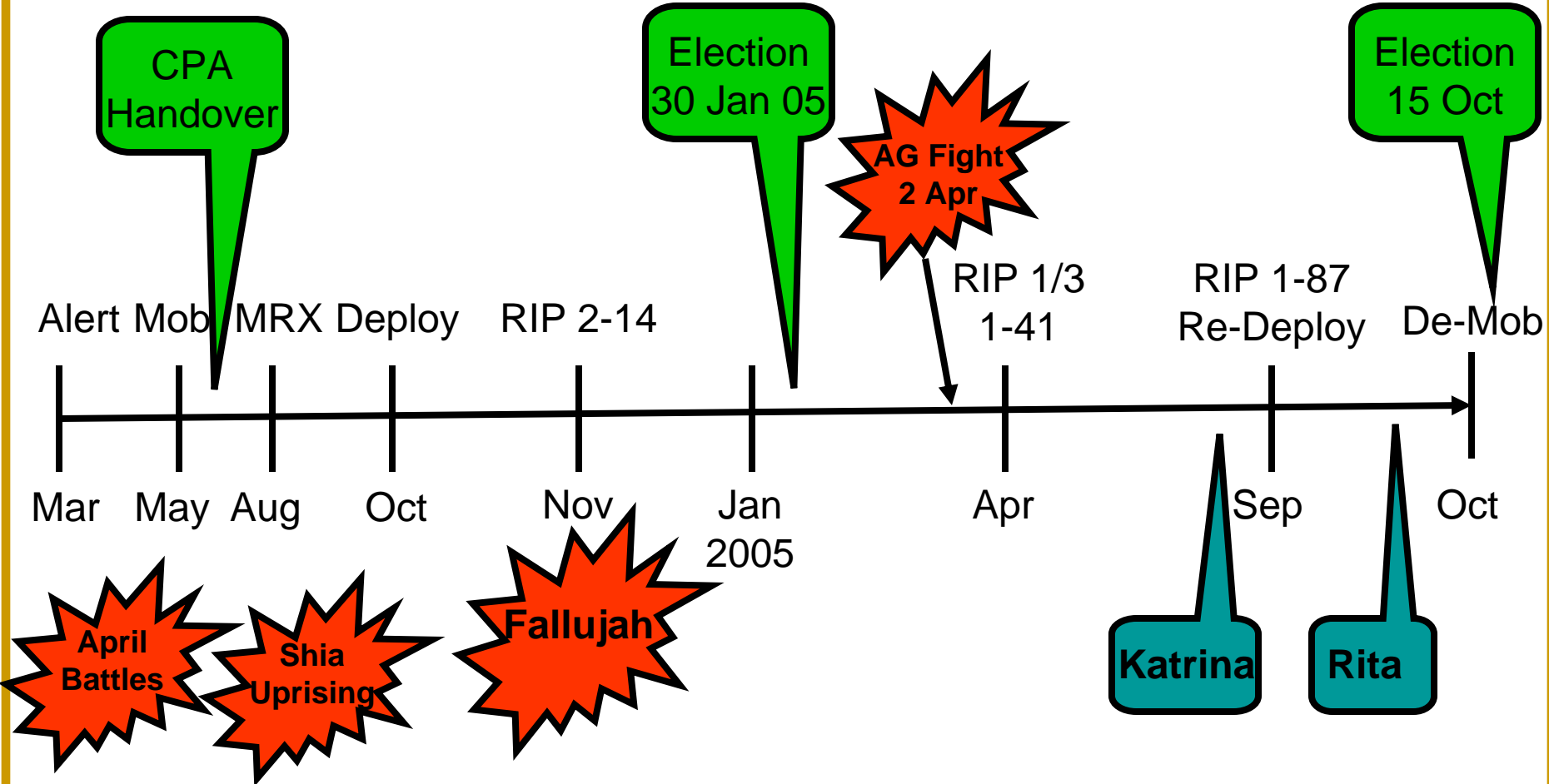


Heavy Task Force OIF Observations

LTC Tom Plunkett
Commander, Task Force 1-156 (Geronimo)
Multi-National Division Baghdad
Oct 2004 to Sep 2005



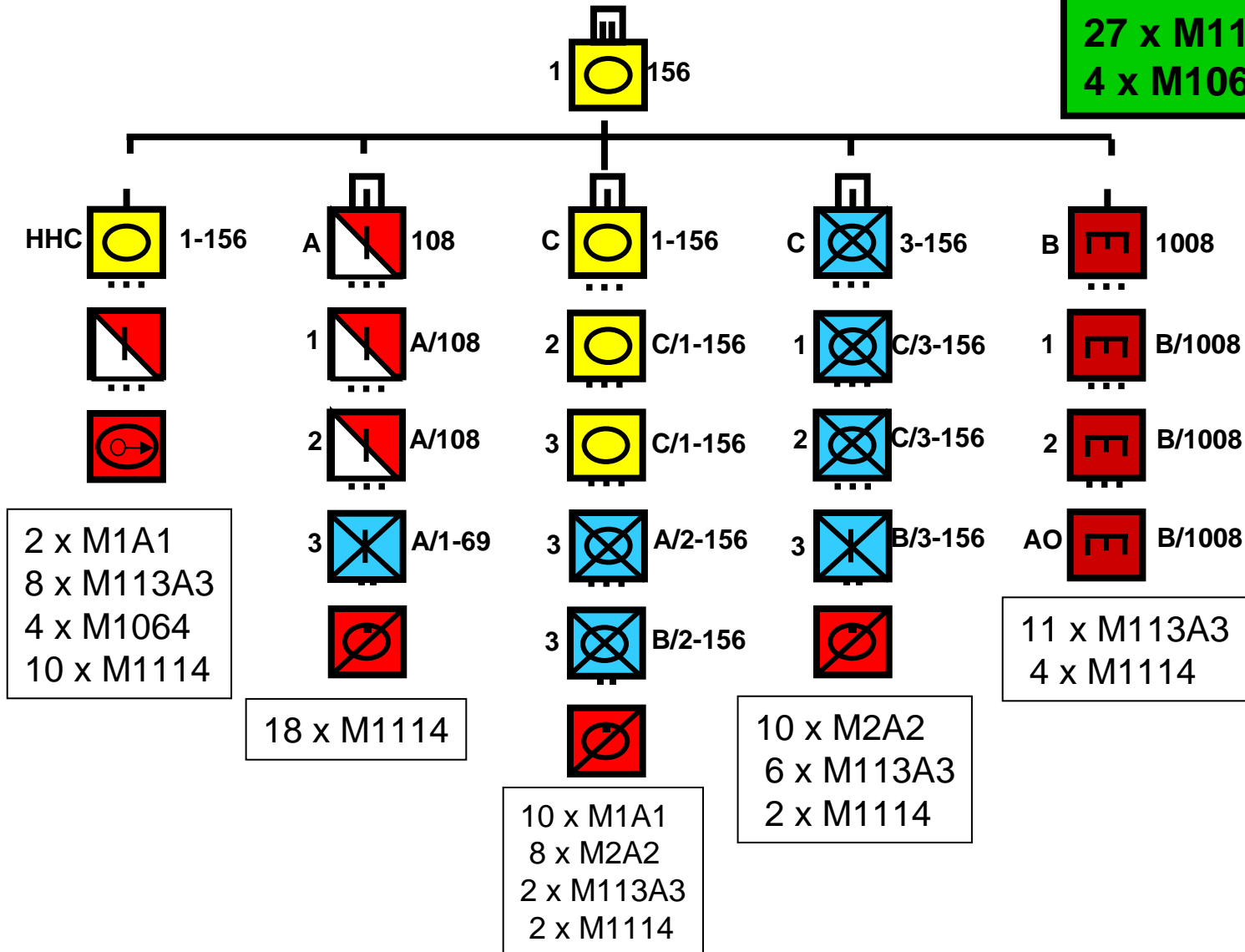
Deployment Timeline



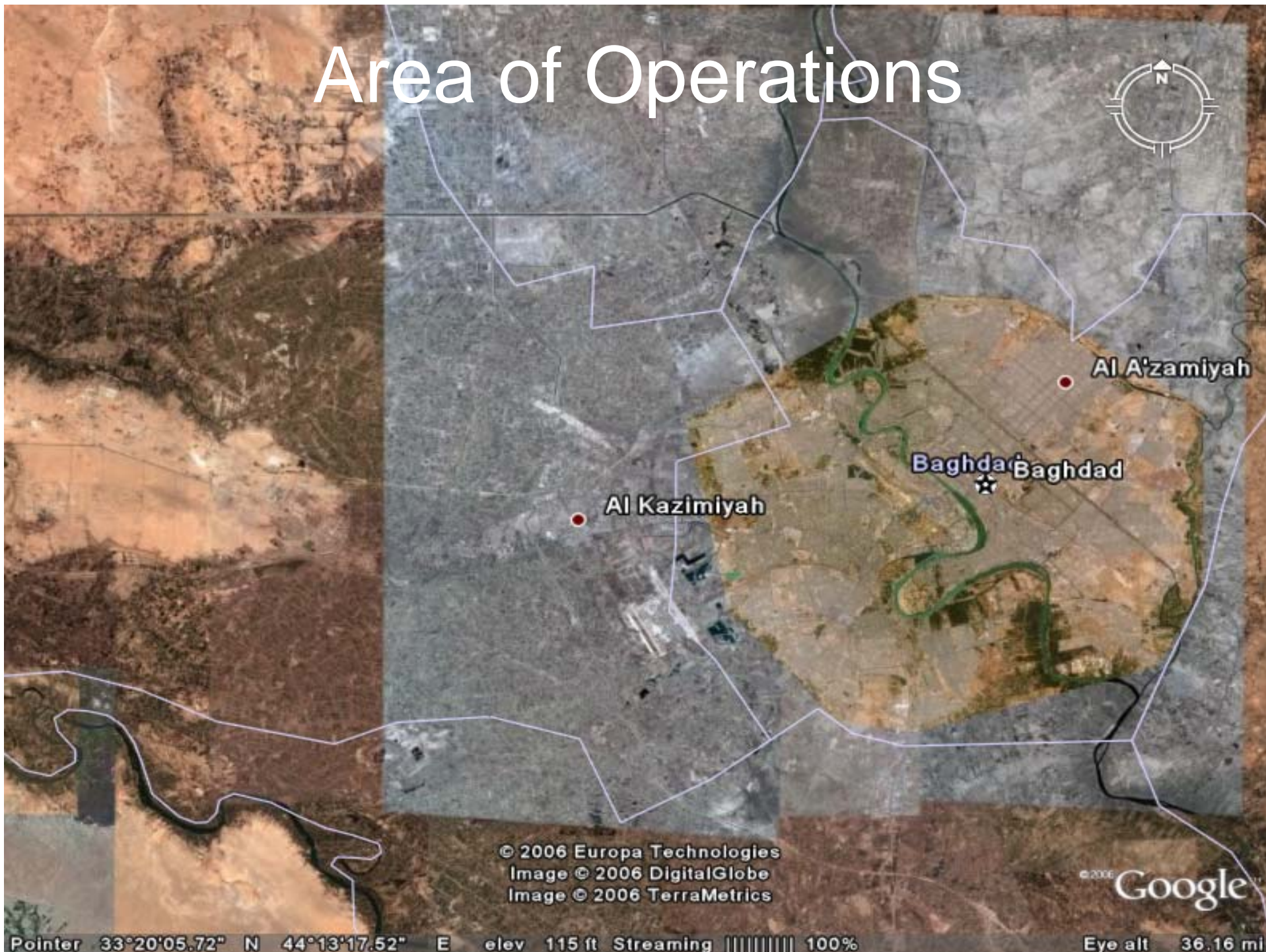


Task Organization

12 x M1A1
 18 x M2A2
 36 x M1114
 27 x M113A3
 4 x M1064



Area of Operations



Al Kazimiyah

Rural AOR



30 km x 30 km

© 2006 Europa Technologies
Image © 2006 DigitalGlobe

© 2006 Google

Urban AOR



© 2006 Europa Technologies
Image © 2006 DigitalGlobe

© 2006 Google

Pointer 33°20'05.81" N 44°17'38.69" E elev 123 ft Streaming ||||. 56%

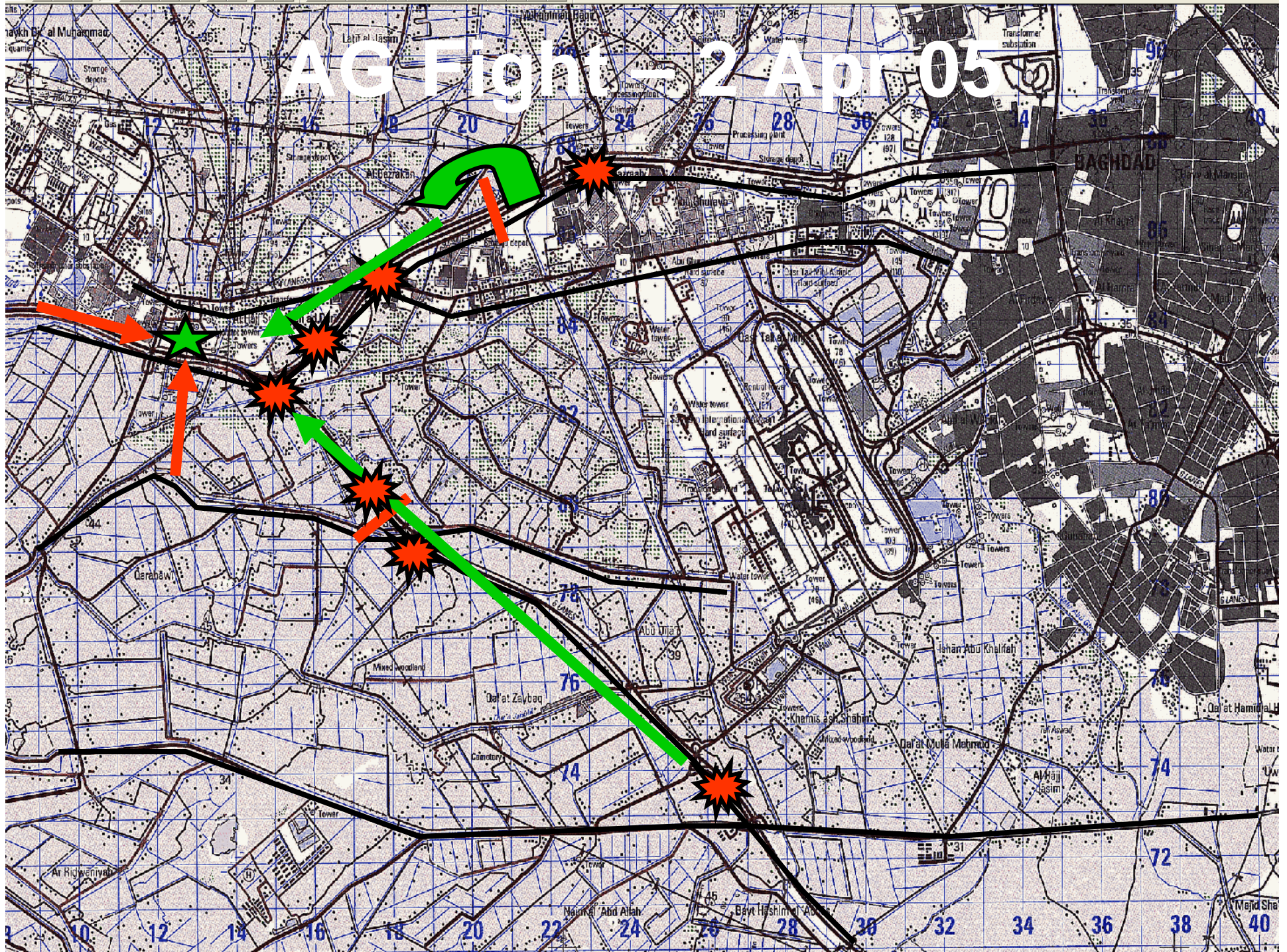
Eye alt 25245 ft



Combat Action

	<u>OLD AO</u>	<u>NEW AO</u>	<u>TOTAL</u>
•COORDINATED ATTACK	9	15	24
•DETAINEES	154	138	292
•FIED	18	39	57
•GRENADE ATTACK	2	15	17
•IED SUCCESSFUL	190	115	305
•IED UNSUCCESSFUL	111	42	153
•MANPAD ATTACK	4	0	4
•MORTAR ATTACK	54	3	57
•ROCKET ATTACK	13	0	13
•RPG	15	23	38
•SAF/DRIVE-BY SHOOTING	45	142	187
•UXO	40	22	62
•VBIED SUCCESSFUL	8	15	23
•VBIED UNSUCCESSFUL	4	3	7
•VCIED SUCCESSFUL	1	6	7
•VCIED UNSUCCESSFUL	0	2	2
•WEAPONS CACHE	30	4	34
•AIF KIA	18	34	52
•AIF WIA	3	8	11
TOTAL # ENEMY CONTACT	719	626	1345
FRIENDLY KIA	13	1	14
FRIENDLY WIA	72	70	142
INTERPRETERS KIA	4	0	4
INTERPRETERS WIA	2	2	4

AG Fight - 2 Apr 05





Heavy Task Force Observations

- Heavy OPTEMPO/Non-Standard Missions: (Combat/Maintenance Losses)
 - M1A1 = 500-750/wk (1/8=9)
 - M2A2 = 250-500/wk (5/0=5)
 - M113A3 = 500-1000/wk (3/1=4)
 - M1114 = 1200-1500/wk (7/2=9)
- M1A1:
 - Survivability & Intimidation Factor
 - Visibility & Urban Operations Limitations
 - Intense Maintenance Operations
 - Mobility Limitations – Rural & Urban
- M2A2:
 - Most Effective All-Around Platform (Weapons/Sites/Dismounts)
 - Some Mobility Limitations – Rural & Urban
 - Reactive Armor (Transmission Issues)
- M113A3:
 - Adaptability
 - Mobility
 - Bolt On Armor (Ramp Issues)
- Cupolas & Shields
- Air Conditioning



TASK FORCE GERONIMO WALL OF HONOR



1LT Chris Barnett
23 DEC 04



SGT Craig Nelson
27 DEC 04



SSG Bill Manuel
10 JAN 05



SGT Robert Sweeney
10 JAN 05



SPC Alain Kamolvathin
16 JAN 05



SPC Francis Obaji
17 JAN 05



SSG Jonathan Reed
28 JAN 05



SGT Michael Evans
28 JAN 05



SGT Chris Ramsey
28 JAN 05



SGT Seth Trahan
19 FEB 05



SGT Nicholas Olivier
23 FEB 05



SGT Lee Godbolt
26 MAR 05



SGT Isiah Sinclair
26 MAR 05



SGT Robin Fell
19 MAY 05



SGT Bernard Sembly
19 MAY 05



SGT David Murray
9 JUN 05

THESE SOLDIERS DID, IN THE FALL OF 2004, PRESENT THEMSELVES UPON THE BATTLEFIELD OF IRAQ, IN DEFENSE OF THEIR NATION, IN DEFIANCE OF TERRORISM, AND IN SUPPORT OF THE OPPRESSED IRAQI PEOPLE. HERE THEY FOUGHT, AND HERE THEY FELL. BE IT KNOWN THAT THESE MEN OF HONOR, HAVING PRESENTED THEMSELVES THUS, HAVE BEEN TESTED, AND FOUND WORTHY, AND HENCEFORTH ARE ENROLLED INTO THAT FRATERNITY OF SOLDIERS WHICH THE PROTECTED WILL NEVER KNOW. WE HONOR THEIR MEMORY, AND CELEBRATE THEIR LIVES AS PATRIOTS, WARRIORS, AND FRIENDS.