

National Defense Industrial Association
Gun and Missile Systems Conference & Exhibition
27-30 March 2006

Anti-Personnel Obstacle Breaching System, MK 7 Mod 2
(U.S. Army Use Only)

Presented by Perry Villanueva
U.S. Army RDECOM-ARDEC
(Armaments Engineering & Technology Center)
Picatinny Arsenal, NJ 07806-5000
Telephone: (973) 724-6110
DSN 880-6110



PM CCS



Presentation Outline

- Introduction
- System Description
- Operational Scenario
- Milestones
- Conclusion



Introduction

- The Anti-personnel Obstacle Breaching System (APOBS) is an explosive line charge system that allows safe breaching through complex antipersonnel obstacles (anti-personnel mines and wire obstacles) while under fire and from a position outside the lethal distance.
- The APOBS is a joint Department of Defense (U.S. Marine Corps/U.S. Army) program.



System Description

- Capabilities:

- APOBS is an explosive line charge system
- Allows safe breaching through complex antipersonnel obstacles
- APOBS is hand emplaced
- APOBS is fired from standoff position
- APOBS clears a footpath for troops



System Description (continued)

Major Components:

FRONT BACKPACK ASSEMBLY

- **WEIGHT APPROXIMATELY 60 POUNDS**
- **MOLDED PLASTIC CONTAINER**
- **½ OF LINE CHARGE**
- **LAUNCH ROD**



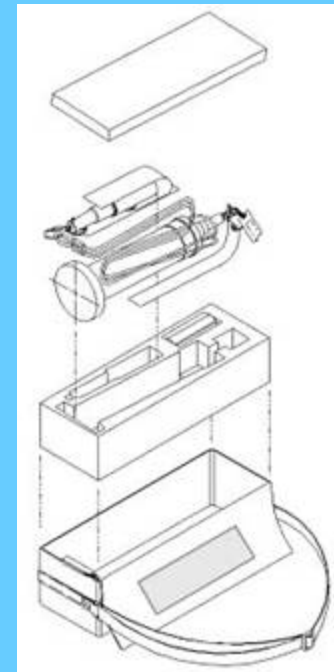
REAR BACKPACK ASSEMBLY

- **WEIGHT APPROXIMATELY 52 POUNDS**
- **MOLDED PLASTIC CONTAINER.**
- **½ OF LINE CHARGE**
- **REAR FUZE**
- **DROGUE CHUTE**



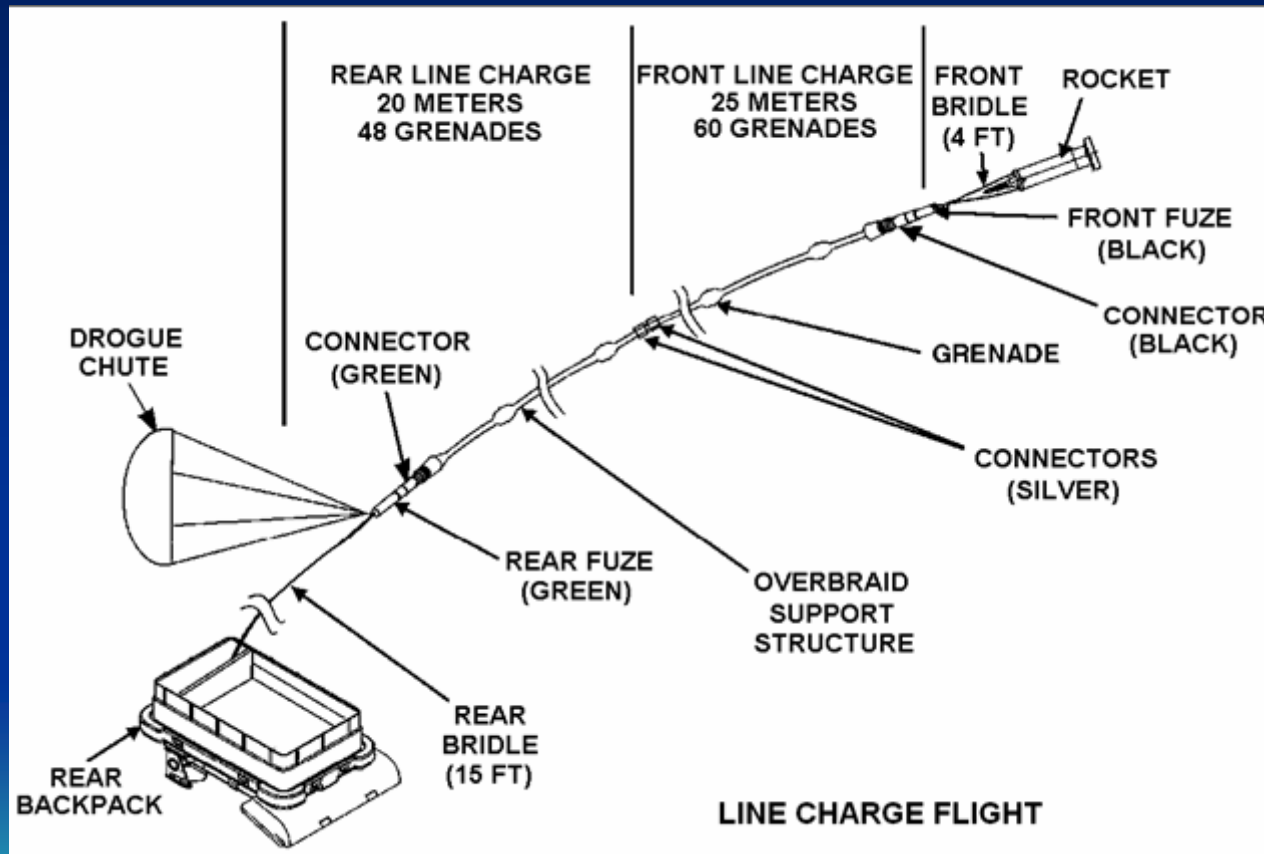
Major Components: ROCKET MOTOR & FUZE TRANSPORT CONTAINER (SOFTPACK) MOD 2

- **ROCKET MOTOR**
- **FRONT FUZE**
- **NON ELECTRIC INITIATOR (NEI)**
- **TOOL KIT BAG**
- **INSTRUCTION CARD**



Operational Scenario

FLIGHT PATH



Operational Scenario (continued)

- Video Presentation



Milestones

- 11 April 1994 – Requirements document signed, official start of the APOBS program
- 13 January 2002 – Army fielding of APOBS, Mod 1
- 27 January 2006 – Army fielding of APOBS, Mod 2



Conclusion

- The APOBS is a joint Department of Defense system
- The APOBS neutralize complex antipersonnel obstacles, effectively clearing a footpath for troops to cross
- User feedback indicated positive results during training missions
 - The soldiers were impressed and very satisfied with the APOBS after being trained
 - Most Army and Marine units that train with APOBS found it very effective and less bulky as compared to the bangalore torpedoes

