



Target Oversight & Target Investment Management

Jessica Wyatt
DOT&E Targets

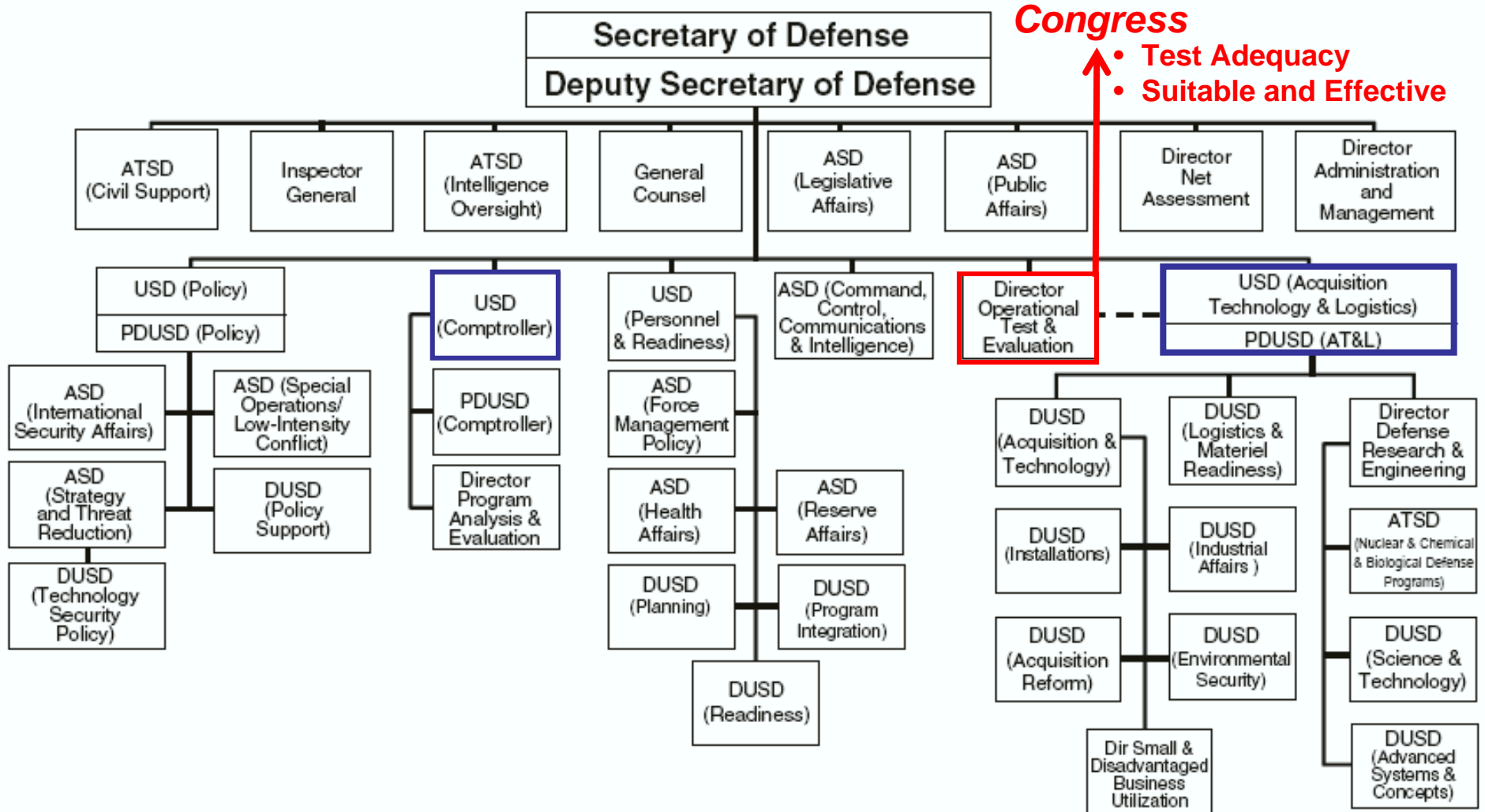
Office of the Secretary of Defense,
Operational Test & Evaluation Directorate



Overview

- Organizational Overview
- TMI Program Overview
- TMI Process
- FY07 Program
- FY08 Program

Office of the Secretary of Defense



Date: March 2001



**Director Operational Test & Evaluation
Dr. Charles McQueary**

**David W. Duma
Principal Deputy Director**

**Stephen C. Daly
Deputy Director
Land & Expeditionary
Warfare**

Land Warfare Systems
Expeditionary Warfare Sys
Future Combat Systems
Battle Command
Land Munitions
Rotary & Tilt-Rotor Aircraft
Tactical UAV
Chem-Bio Defense Program

Joint Rapid Acquisition Cell
Targets
Integrated Resource Analysis
Threat Systems Office
Joint IED Defeat

**Michael D. Crisp
Deputy Director
Air Warfare**

Air Combat Systems
Strategic Air Combat Systems
New Aircraft Carriers
Air Launched Munitions
Endurance UAVs
Air Warfare C4ISR Systems
IR/UV/RF Def Combat Sys
Airlift Systems

Joint T&E Program
Joint T&E Roadmap
Center for Counter Measures

**Thomas B. Blann
Deputy Director
Naval Warfare &
Net-Centric Systems**

Surface Combatant Ships
Amphibious Ships
Submarines
Naval Munitions
Space & Strategic Systems
Net-Centric Systems
Strategic C4ISR Systems
Major Automated Info Sys
Chemical Weapons Demil

Network Information
Assurance & Interoperability
Assessment

**Larry W. Miller
Deputy Director
Missile Defense &
Director Live Fire**

Missile Defense Systems
Live Fire – Land, Air, Naval
Lethality & Survivability

Joint Live Fire Program
Joint Aircraft Survivability
Joint Technical Coordinating
Group-Munitions
Effectiveness



Targets/TMI Program Staff

- **Dennis Mischel – Program Manager**
 - Phone: 703-681-5505, d.mischel@osd.mil
- **Jessica Wyatt – Program Analyst**
 - Phone: 703-681-5542, jessica.wyatt@osd.mil
- **Joshua Messner – Ground Systems**
 - Phone: 703-681-5502, joshua.messner@osd.mil
- **Patrick Burris – Aerial Systems**
 - Phone: 256-425-0010 ext 107, burris@ari2.com
- **Vacancy**



TMI Program

Focused upon improving targets

- **Improved Threat Realism!**
- Improved cost of operations
- Interoperability
- Flexible and Responsive

RDT&E Funding: \$5-7M

- Studies
- Prototypes
- Demonstrations
- *No Production*



TMI Program Process

- Target Resource Survey (June – Sept)
- Focus Area Call for Proposals (October)
 - Based upon prior Survey
 - Call to Services'
 - TMI Website and conferences
- Proposal Review (Jan – Feb)
 - (Service, Agency and Industry Proposals)
- Initial Proposal Prioritization
- Proposal Vetting
- Project Selection and Prioritization
- Funding Line Determination
- Project Approval Notification (Sept)



FY07 TMI Program

Legacy Projects

- [Satellite Emulation](#)
- [Metal Target Surrogate Analysis and Validation](#)
- [Subsonic Subscale \(SSAT\) Demonstration Program](#)
- [Standard Interface for Target Control](#)
- [Information Operations Targets](#)
- [Expendable Air to Ground Target](#)

New Start Projects

- [Realistic Low Cost Targets](#)
- [Pneumatic Launcher Modeling](#)
- [DOT&E Directed Studies](#)
- [Multi-Spectral Mobile Ground Target Systems](#)



FY07 Resource Adequacy Survey

- Operational Test Resource Concerns
 - Operational Test Agencies (OTA's)
 - DOT&E Action Officers
 - IRAT
 - Service Program Reviews
 - DOT&E Annual Report
 - Threat Systems Annual Report
 - TRMC Strategic Plan
 - DOT&E Targets Staff

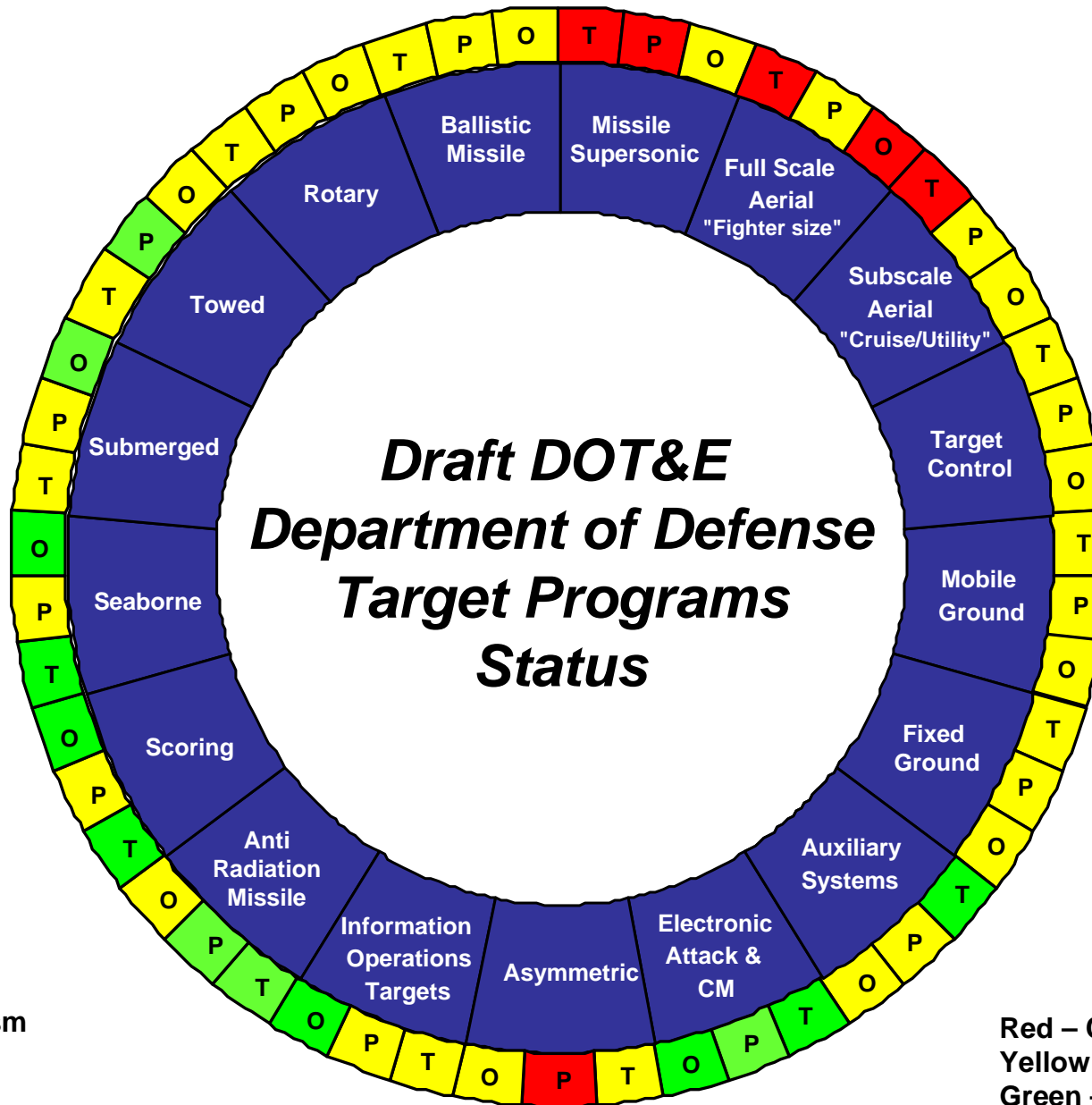


FY08 TMI Program

- October
 - Focus Area's released to Services' and on TMI Web Site
- February
 - Proposal Review



Target Program Status



T - Threat Realism
P - Procurement
O - Other

Red – Critical Issue
Yellow – Concern
Green – No Significant Issue



FY08 TMI Focus Areas

1. Fixed Ground Targets
2. Full Scale Aerial Targets
3. Mobile Ground Targets
4. UAV's
5. Anti-Ship Cruise Missiles (ASCM's)
6. Space Based Targets
7. IO/EW Targets
8. Surface Targets
9. Submerged Targets
10. Scoring
11. Target Control
12. Asymmetric Threat Targets
13. Rapid Capability Development
14. Misc.



Summary

- New DOT&E Director
- FY07 Program - Executing
- FY08 Program – Under Development

DOT&E Target Management Initiative

www.tmi.osd.mil





Satellite Emulation

Project Description

Develop a new capability to include satellite emulation to test satellite interceptor sensors & controls in HITL capability.

This project is a proof of concept to add satellite emulation to existing ground test infrastructure

Test Programs Supported

Total TMI Funding



Project Milestones & Schedule

Jeff Staines; USAF/AEDC/DOT; 931-454-4158; jeffrey.staines@arnold.af.mil



Metal Target Surrogate Analysis and Validation

Project Description

- Perform radar signature analysis, validation and predictive model creation for metal surrogate targets.



Test Programs Supported

- AARGM

Project Funding Profile

Project Milestones & Schedule

- | | |
|-------------------------|--------|
| • Project Initiation | Mar 06 |
| • Quick Look RCS Report | Apr 06 |
| • Mid Year Review | Jun 06 |
| • Detailed RCS Report | Jul 06 |
| • Project Rescope | Aug 06 |
| • Final Report | |



Subsonic Subscale (SSAT) X Program

Project Description

Conduct test flights of alternative vendor for Navy new subscale target.

Test Programs Supported

SSDS; Aegis; DDX; SM-6 (FY-09)

Project Funding Profile



Project Milestones & Schedule

- | | |
|----------------------------|---------|
| • Contract Award | Dec 05 |
| • Trade Study Results | Mar 06 |
| • Preferred Concept | Jul 06 |
| • Cost estimates | Aug 06 |
| • Prel Life Cycle Analysis | Sept 06 |
| • Final Report | Sept 06 |

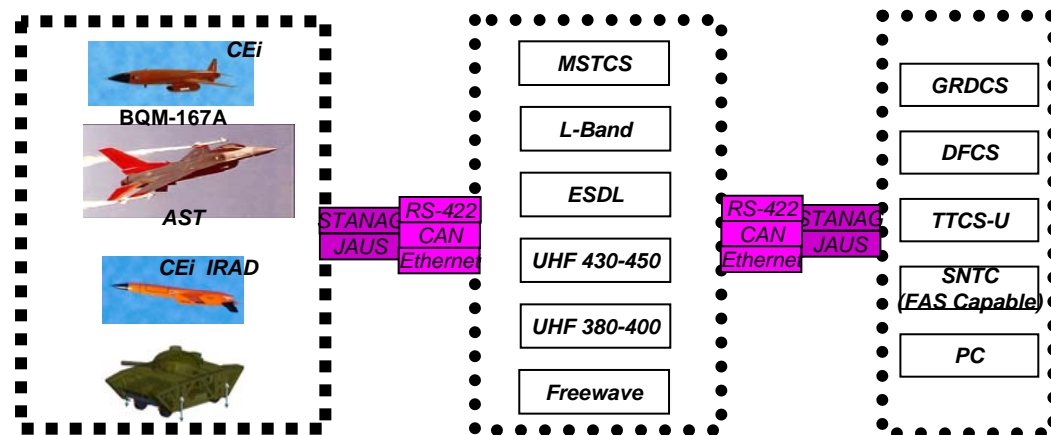
PD: Charles G. Manson; Navy/PMA-2081B; 301-757-6113; Charles.Manson@navy.mil



Standard Target Control Interface

Project Description

Develop and demonstrate a common interface for aerial targets using a combination of RS-422 and a Controller Area Network (CAN) interfaces that are compatible with current target control systems.



Test Programs Supported

None in particular, this projects provides the ranges the ability to fly targets with either interface.

Project Milestones & Schedule

- Contract award September 2006
- Initial flight test November 2006
- Final report Apr 2007

Project Funding Profile



Expendable Air to Ground Target

Project Description

Design and build a set of expendable stationary metal surrogate threat vehicles for DoD DT/OT testing programs requiring medium to high fidelity MMW radar signatures.

Test Programs Supported

AARGM, GMLRS, AESA, F/A-18E/F/G, Hellfire, APKWS,

Project Funding Profile



Project Milestones & Schedule

First Set (SA-6 TEL, SA-6 TELAR, Modified Big Bird)

Units Built	Aug 05
RCS Measurements	Sep 05
RCS Analysis	Jan 06

Second Set (Tin Shield, SA-20 TEL,)

Units Built	Aug 06
RCS Measurements	Sep 06
Final Report	Nov 06



Realistic Low Cost Target

Project Description

This project will develop alternative methods for providing high infrared fidelity on 2^{1/2} D gunnery targets. Current systems are susceptible to gun fire and must be replaced or repaired frequently.

Test Programs Supported

EFV, MEFFV

Project Funding Profile



Project Milestones & Schedule

FY07

Contract Award, Requirements Report
Materials Analysis

FY08

Prototype Build, IR Augmentation
Test and Validation, Validation Report
Final Report



Pneumatic Launcher Modeling

Project Description

This TMI project will develop and characterize a mathematical model of a generic pneumatic launcher for subscale aerial targets. The model will be adaptable to predict performance of low and high energy launchers currently in use or in design.

Test Programs Supported

No test programs are directly supported by this effort.

Project Funding Profile



Project Milestones & Schedule

Contract Award	Dec 06
Launcher Survey Report	
Math Model Complete	
Design Report	
Final Report	Sept. 07



Hi-Seed Target Semi-Autonomous Control

Project Description

This project will add the capability to control actual wheeled and tracked vehicles to the current Shoot-able Remote Threat Ground Target (SRTGT) – Target Control System.

Test Programs Supported

SDBII, Enhanced JDAM, OLN-AFMC

Project Funding Profile



Project Milestones & Schedule

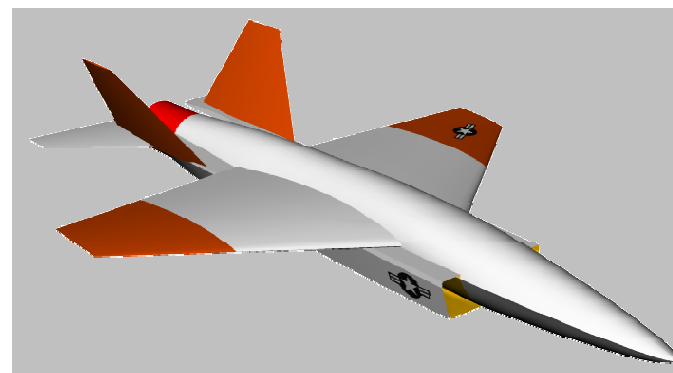
Contract Award	Dec 07
Evaluate Current Software	Jan 07
Hardware Procurement	Mar 07
Wheeled Prototype	May 07
Test Wheeled Prototype	Jun 07
Define Software for Tracked	Aug 07
Tracked Prototype	May 08
Test Tracked Prototype	Jun 08



DOT&E Directed Studies

Project Description

The rapidly changing threat environment requires the ability to quickly determine the appropriate means of representing these threats. DOT&E directed studies provides a quick means of examining these



Test Programs Supported

Future programs

Project Funding Profile

Project Milestones & Schedule

- Threat Review – Sept/Dec
- Study – Sept/Dec
- Target Quick Reaction Capability Formulation - Jan/March
- Demonstration?



Multi-Spectral Mobile Ground Target System FY07 Project

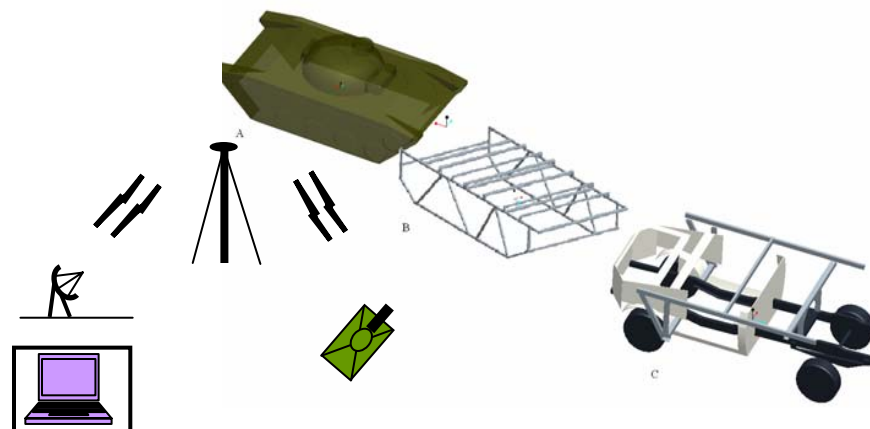
Project Description:

FY07 funding continues Multi-spectral Mobile Ground Target System development. Advances the Mobile Ground Target Control System, signature augmentation, threat countermeasures, and testing at the full system level.

Test Programs Supported:

The MMGTS will support testing of weapon systems that require moving threat ground vehicles. Examples include: LJDAM, ERMP, MRM, FCS, SDBII

Project Funding Profile:



Project Milestones & Schedule:

Project Kickoff Meeting	Dec 06
Full TVARCS Integration	Feb 07
Integrate Emitters/TCS	Mar 07
Refined TCS S/W	Jun 07
Test & Demo	July 07
Software Documentation Package	Aug 07
Hardware Design Package	Aug 07
Final Report	Sept 07

Sub-projects:

Shoot-able Remote Threat Ground Target (SRTGT)
Advanced Ground Target Threat System (AGTTS)