



Maneuver Support Center (MANSCEN) Update



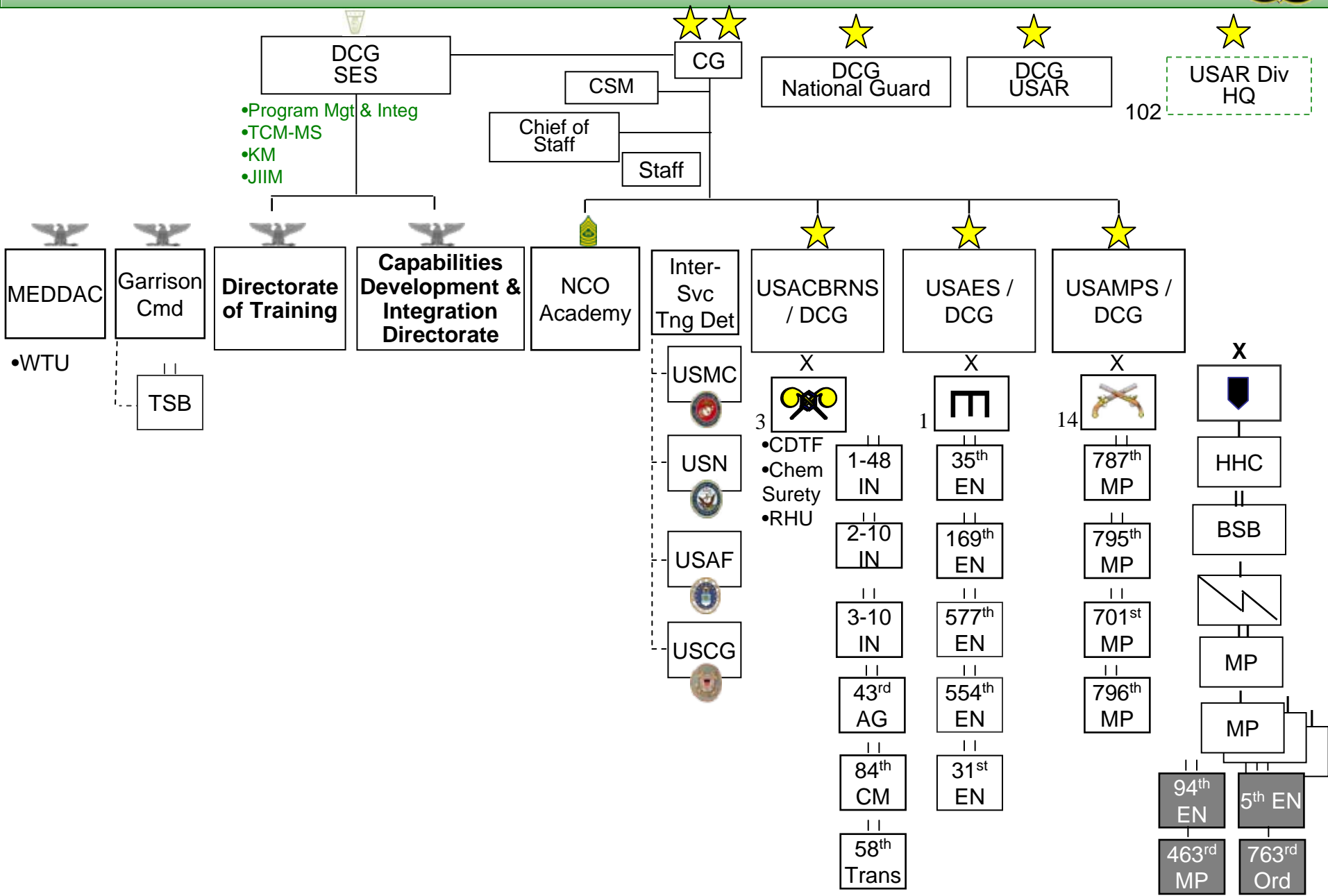
**MANSCEN SCIENCE AND TECHNOLOGY CONFERENCE
JULY 2008**

The Maneuver Support Center, enabled by a world class garrison at Fort Leonard Wood, creates Warriors and develops Leaders and capabilities that assure the mobility, freedom of action and protection of the forces they support.





Maneuver Support Center & FLW





Tasks & Priorities



Glass Balls (METL)

- Train
- Support
- Transform
- Take Care Of
- Engage

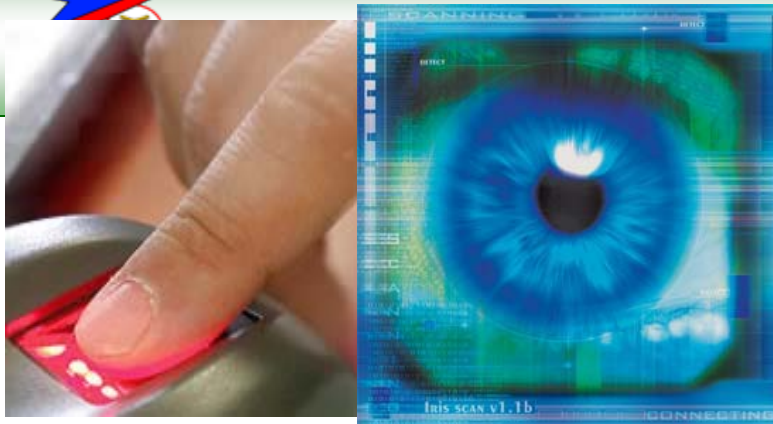
Specified Tasks

- C2 MANSCEN/Oversee Garrison
- Transform MANSCEN and FLW into an integrated and value-added CoE
- Assume proponency for
 - BSTBs and MEB
 - Protection WFF
 - IED Defeat
 - Consequence management
 - Combating WMD
 - FCS UGVs

Top Ten Capabilities Development Priorities

1. Explosive/Toxic Hazard and CBRNE Defeat
2. Maneuver Support Concepts, Organizations and Systems
3. Protection
4. Consequence Management
5. Stability Operations, Infrastructure Development and Nation Assistance
6. Detainee Operations
7. Non-Lethal Capabilities
8. Joint Functional Capabilities
9. Geospatial
10. Future Mobility and Support Systems

Vision: World-Class in All We Do



Biometrics



Non-lethal technologies



Protective Structures



Robotics



Decision Support



Persistent Surveillance



MANSCEN – World-Class in All We Do!



A large, modern brick building with a prominent circular window above the entrance. The building is surrounded by a well-maintained lawn and a paved area in the foreground. The sky is blue with scattered white clouds.