



PM Light Tactical Vehicles

1



Product Manager

Mr. Dennis Haag

MISSION

ACAT 1C

The lifecycle management of light battlefield distribution systems enabling the Modular, Joint and Expeditionary Ground Forces.

Distribution Statement A: Approved for public release: Distribution is unlimited



Purpose and Agenda

2

● ***Purpose: HMMWV Updates***

● ***Agenda:***

- *Opportunities for Business*
- *HMMWV Background*
- *HMMWV Fleet Overview*
- *HMMWV Evolution*
- *HMMWV Production & Improvements*
- *HMMWV Recap*
- *Light Tactical Trailer Production*
- *Challenges*
- *HMMWV Path Forward*



HMMWV Business Opportunities

3

● **Full & Open Competition on HMMWV UAH RECAP**

- *RFI released in December 2009*
- *Additional RFIs as material is developed.*
- *Goal is RFP release in March 2010 for ~60K vehicle fleet.*

● **Reduction of Sole Source Parts**

- *Would like 3 suppliers for every part.*
- *Continued emphasis on getting more suppliers qualified.*

● **Help from Industry**

- *Armor Weight Reduction*
- *Fire Suppression*
- *Survivability*
- *Reliability & Safety Upgrades*



HMMWV Program Background

4

- ***ACAT 1C Program***
- ***Milestone C – 1983***
- ***As of 30 Dec 09, 162,589 trucks and 34,845 trailers have been fielded***
- ***Contract Status:***
 - *Completing deliveries on 2009 FY Contract by Dec 2010*
 - *Follow on Production Contract*
 - *Competitive RECAP*
- ***We will reach the Army AAO shortly (166,154 HMMWVs & 44,275 LTTs)***
 - *Army will have greatly reduced demands for new production.*



HMMWV Fleet Overview



M966 HMMWV TOW CARRIER



M1025 HMMWV ARMAMENT CARRIER



M998 HMMWV CARGO TROOP CARRIER



M1037 HMMWV SHELTER CARRIER



M1038 HMMWV SHELTER CARRIER



M1097 HMMWV CARGO CARRIER



M1097 HMMWV SHELTER CARRIER



M1097R1 HMMWV RECAP



M1035 HMMWV AMBULANCE 2 LITTER



M996 HMMWV AMBULANCE 2 LITTER



M997 HMMWV AMBULANCE 4 LITTER



M1113 HMMWV EXPANDED CAPACITY VEHICLE (ECV)



M1114 UP-ARMORED HMMWV (UAH)



M1151 ENHANCED ARMAMENT CARRIER



M1152 ENHANCED CARGO/TROOP CARRIER



M1165 ENHANCED COMMAND AND CONTROL CARRIER



M1167 ENHANCED TOW CARRIER



UAH RECAP



HMMWV Evolution

Block upgrades to increase payload and versatility

**1984 – Present
Payload vs.
Performance
Tradeoffs**



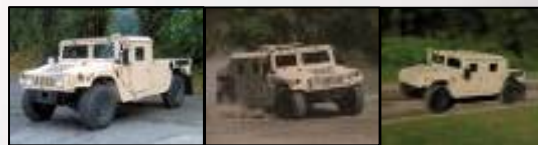
A0 Series (1984-93)
6.2L Diesel Engine
3 Spd Transmission
2,500 – 3,632 lb. Payload
GVW: 7,700 lb.



A1 Series (1991-95)
Improved Driveline
Improved Suspension
2,500 – 3,632 lb. Payload
GVW: 10,000 lb.



A2 Series (1994-Present)
6.5L Diesel Engine
4 Spd Electronic Trans
3,520 - 4,400 lb. Payload
GVW: 10,300 lb.



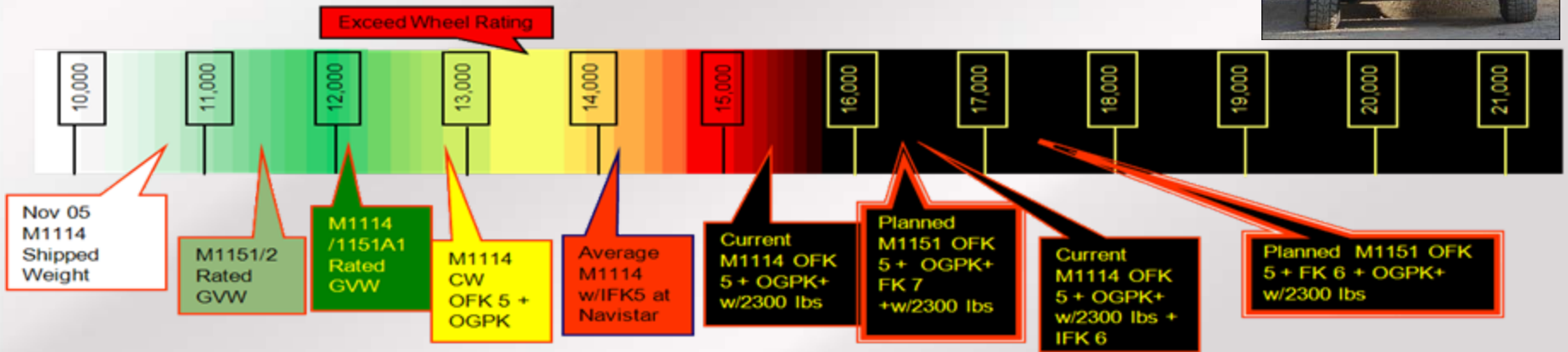
ECV (1993-Present)
6.5L Turbo Diesel Engine
Suspension Upgrade
Armor Capable
1,800 – 5,100 lb. Payload
GVW: 12,100 lb.
Current Op: >16,500 lb.



RECAP
Payload: TBD
GVW: TBD



ECV = Expanded Capacity Vehicle





HMMWV Production

7

- **Fielding to CONUS after SWA Requirement filled: 162,589 fielded to date (CONUS)**
- **Production rate: 64/day average**
- **Introduction model: M1167 (TOW Variant)**
- **Reliability & Safety Enhancements, to include: Armor coverage, Load range E wheel/tire assembly, Electrical upgrades, Lightweight doors, Suspension upgrades, LED lights, Mending Plate improvements, Fire Suppression System upgrades.....**

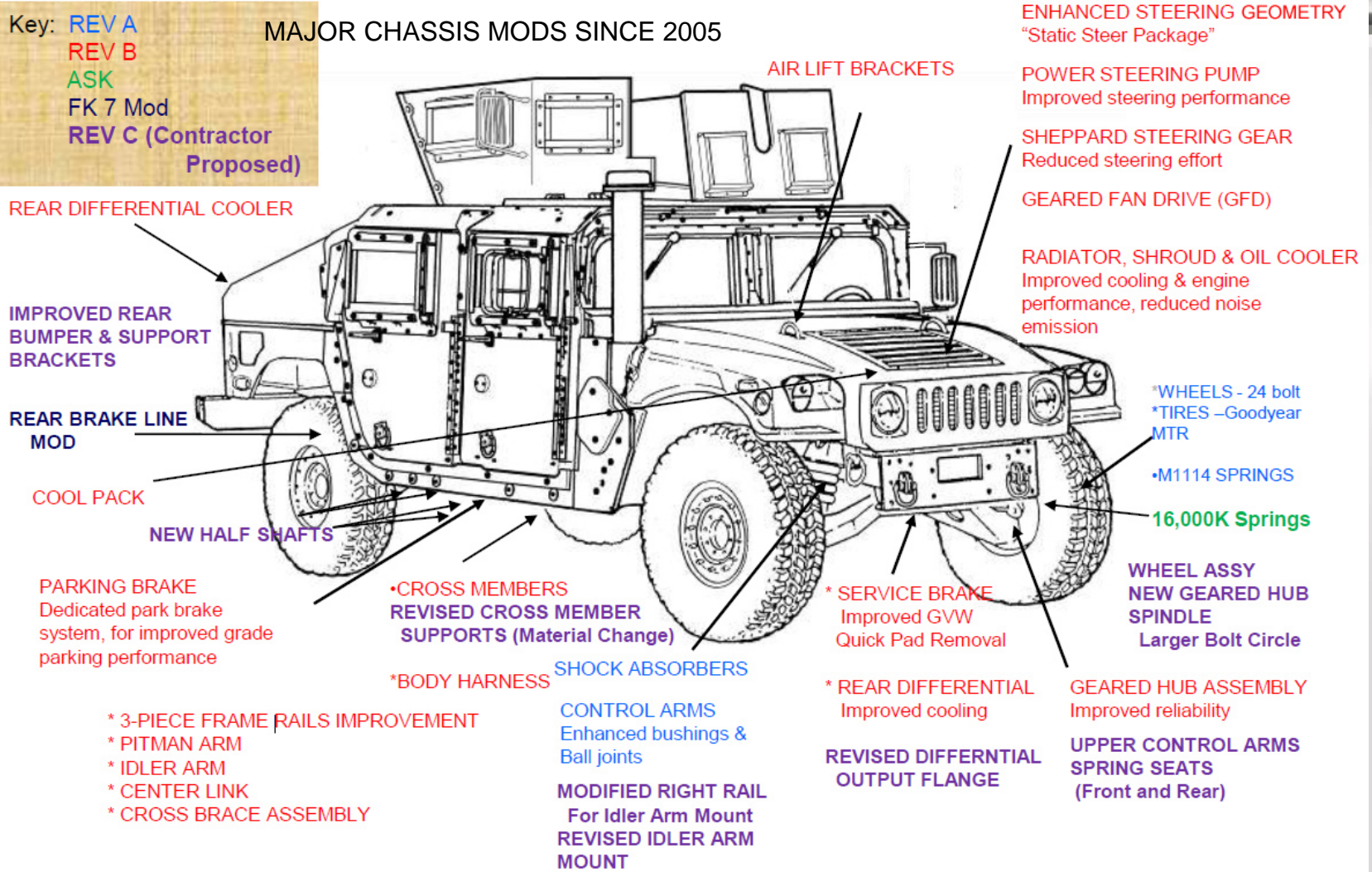




Reliability Enhancements Vehicle (REV)

Key: **REV A**
REV B
ASK
FK 7 Mod
REV C (Contractor Proposed)

MAJOR CHASSIS MODS SINCE 2005





HMMWV Unarmored and UAH RECAP

9

- **Program Intent: Extend useful life of fleet at fraction of new production cost**
- **Current Program (Since FY04) – Convert early models to M1097R1 and M1025R1 models respectively providing:**
 - Models Eligible: M998/A1, M1025/A1, M1026/A1, M1037, M1038/A1, M1097/A1
 - more payload capacity (drive-train and suspension upgrades)
 - extending economic useful life by 15 years
- **Executed at**
 - Red River Army Depot - 21,895 complete to date
 - Letterkenny Army Depot - 18,227 complete to date
 - Maine Military Authority - 1,519 complete to date
- **Total Recap Vehicles Produced - 41,641; Handed-Off (fielded) - 40,167**
- **Un-armored RECAP ends FY10 due to meeting goal of 45K systems, with no future funding**
 - LEAD May / June FY10
 - MMA and RRAD Sep FY10

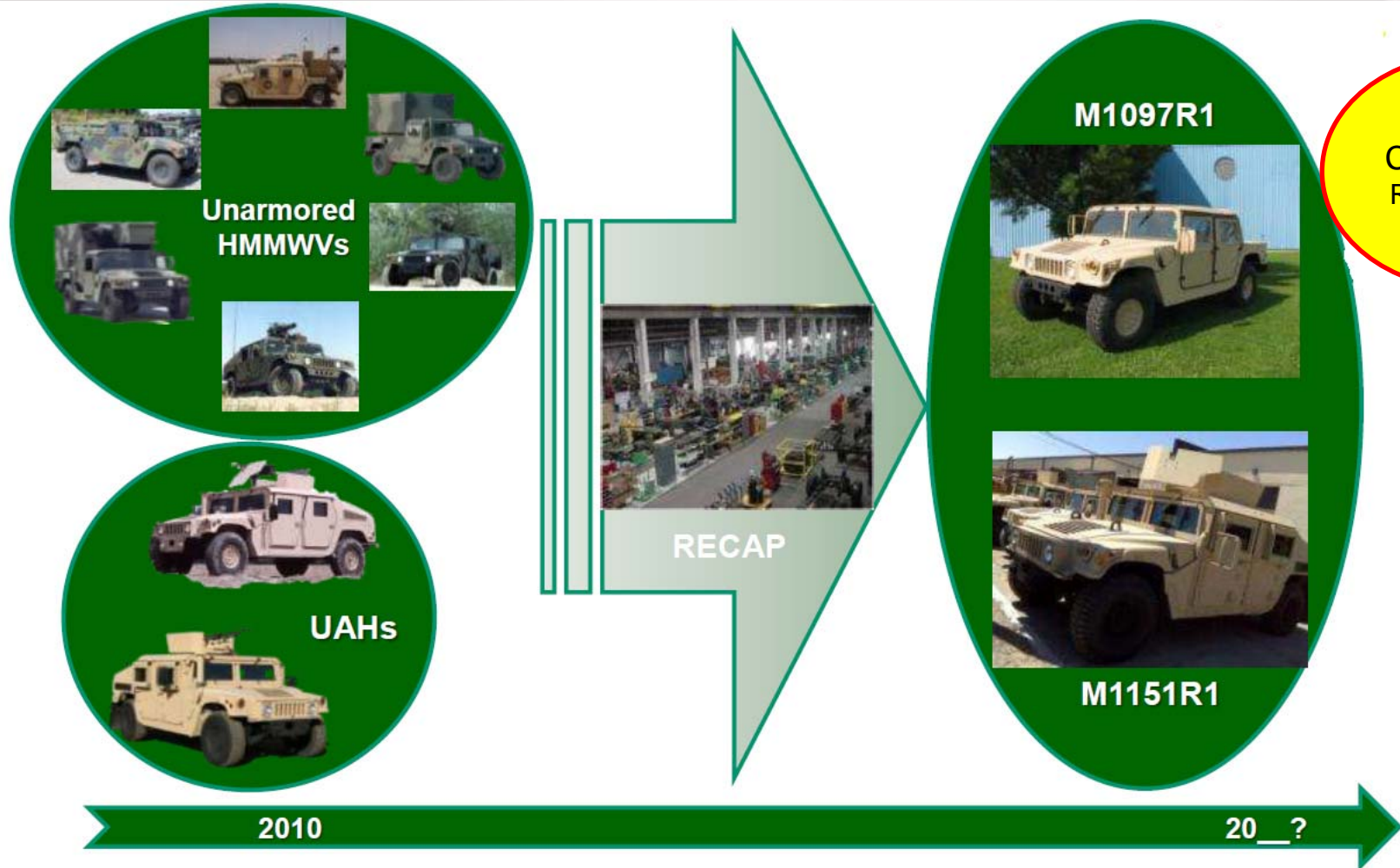
Monthly average
800 per month



M1097R1s at 10 Mtn Div



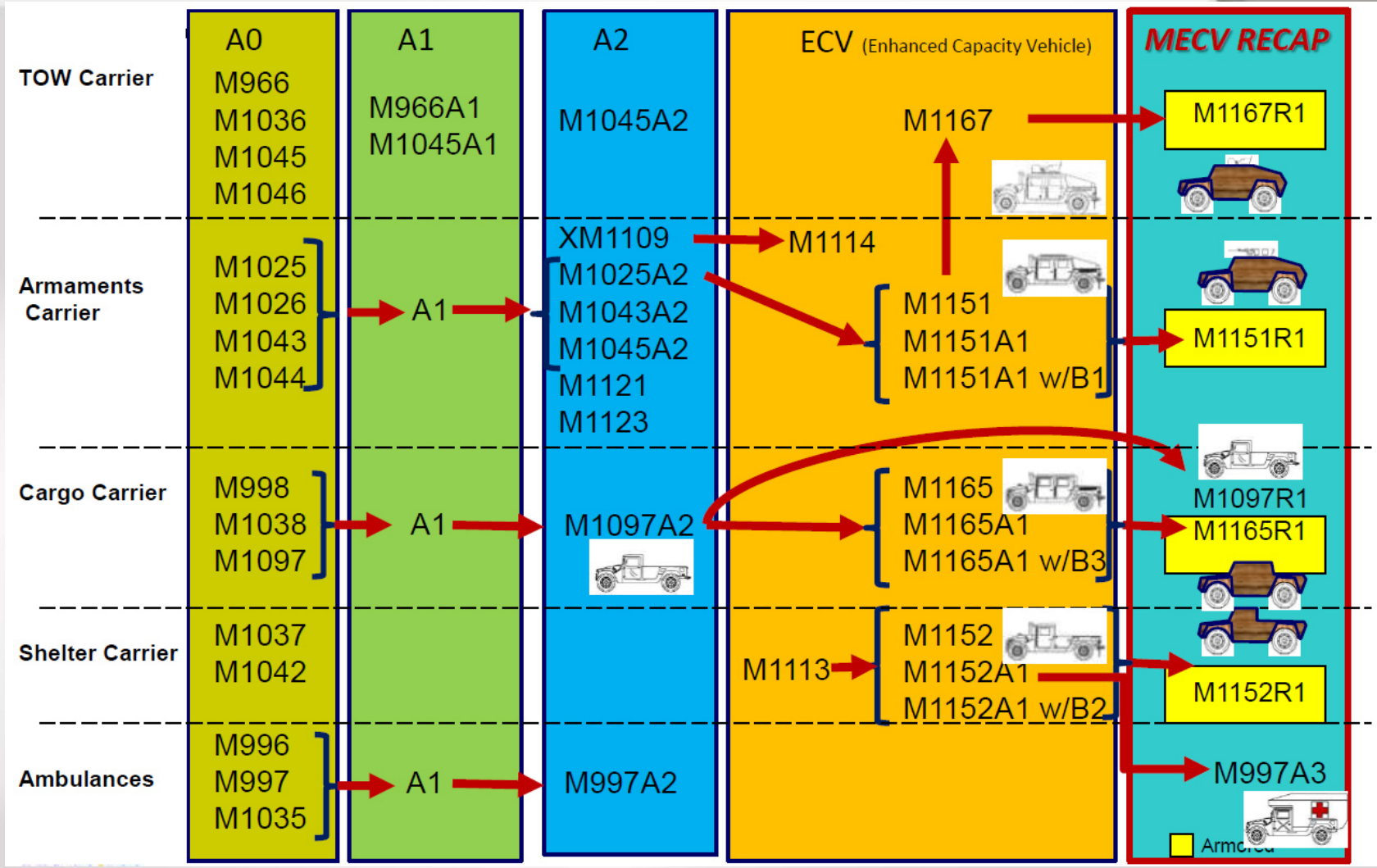
HMMWV Fleet Path Forward



Future:
Competitive
RECAP UAH
M-ECV



HMMWV Model Evolution





UAH HMMWV RECAP Modernization

12

- ***Up-armored HMMWVs (UAH) RECAP Pilot Program – Converts unarmored production configuration models with enhanced reliability components to UAH HMMWV’s***
 - *Conducting UAH RECAP / Modernization pilots at RRAD and LEAD 2QFY09*
 - *2 each M1113’s and M1097’s converted to assess viability of each to carry Armor*
- ***Competitive UAH HMMWV RECAP Modernization Program planned for FY11 and beyond***



HMMWV ECV RECAP – MODERNIZATION RFI/RFP Milestones

13

- ***Initial Request For Information (RFI) Released - 8 Jan 10***
- ***RFI update with Automotive – Tank Purchase Description (ATPD) and Survivability Specification (classified) - 15 Jan 10***
- ***RFI Close - 22 Feb 10***
- ***DRAFT Request for Proposal (RFP) – early Mar 10***
- ***Final Request for Proposal – 31 Mar 10***
- ***Contract Award – 4th Quarter FY10***





Light Tactical Trailer Production

14

- **Over 34,845 LTTs fielded to date**
- **New production contracts awarded in Aug 08 (2 Contractor awards)**
- **Production: 1600 / month combined**

