

40mm PIVOTING COUPLING

- Army Invention of the Year
- Presented By;
 - Steve Kotefski, Savit Corporation

MK 19 Weapon

- Choice Weapon System of the Warrior
 - Close Combat Scenario
 - Effective Lethality
- Drawback of Weapon System
 - 32 Round Belt Needs To Be Reloaded
 - Causes a Weapon Re-Load Requirement
 - POTENTIAL DANGER TO WARRIOR

WARRIOR FIELD FEEDBACK

- **ELIMINATE RELOAD ISSUE**
- **ADDITIONAL FEEDBACK**
 - Partial Belts from Engagement and/or Practice become useless
 - Single Rounds From Charged Weapons become useless

FIELD ISSUE TO SOLUTION

- **Warrior Feedback Issues**
 - Warrior Needs-
 - Continuous Firepower from Weapon System-MK19
 - Salvage Partial Belt and Single Round Ammunition
- **Solution**
 - Achieve the Warriors Needs

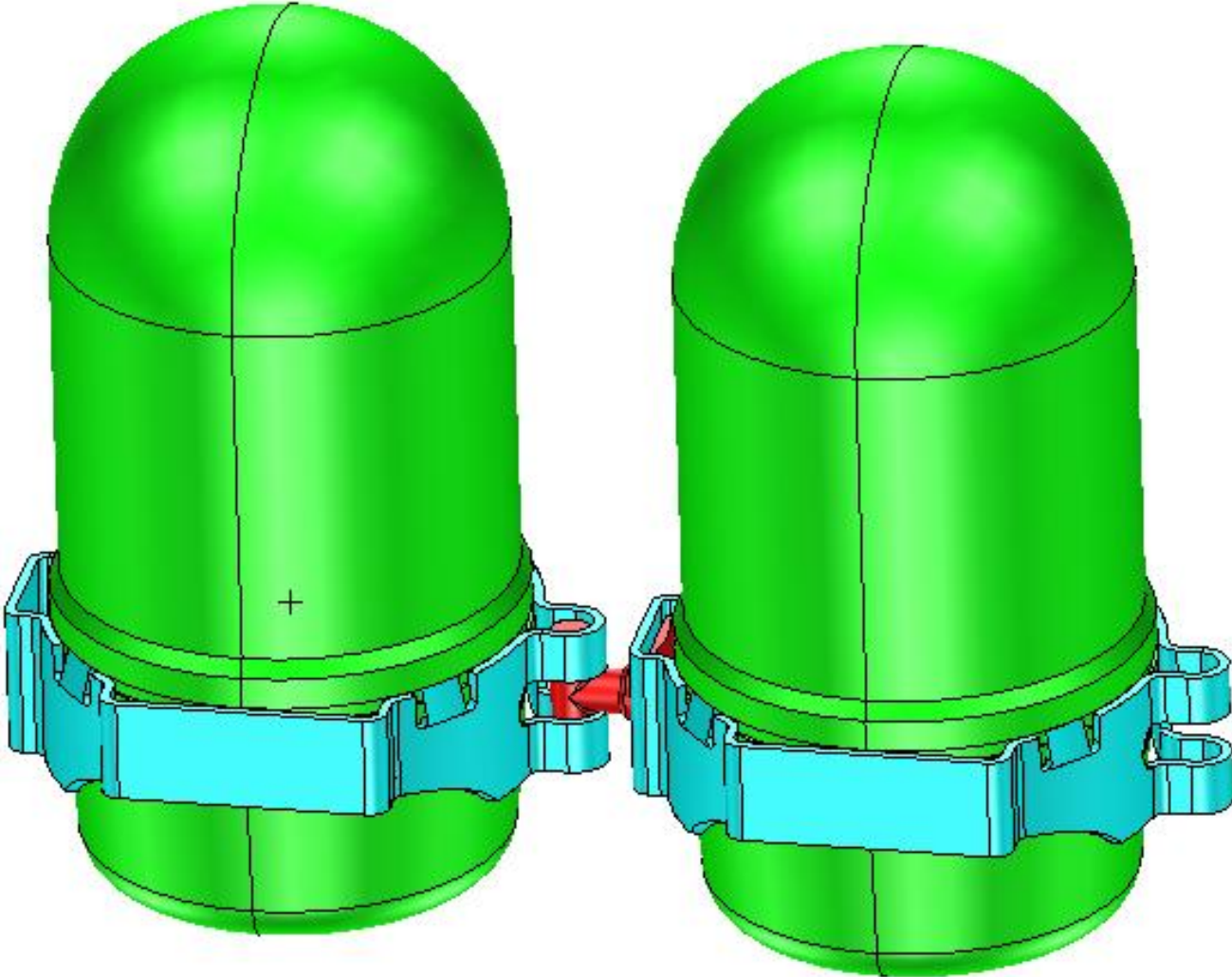
FIELD FEEDBACK TO SOLUTION

- Warriors Needs Defined
 - Field Feedback
- Potential Solutions-
 - Analyze Given Issues- WARRIOR FIELD FEEDBACK
 - Solution = Warrior Needs + Technical Innovation
 - INNOVATION = PATENT = ARMY's GREATEST INVENTION RECIPIENT for 2009 =
THE PIVOTING COUPLING

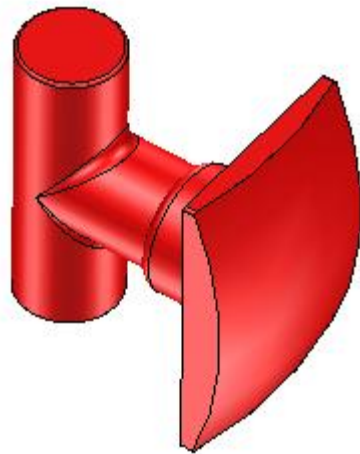
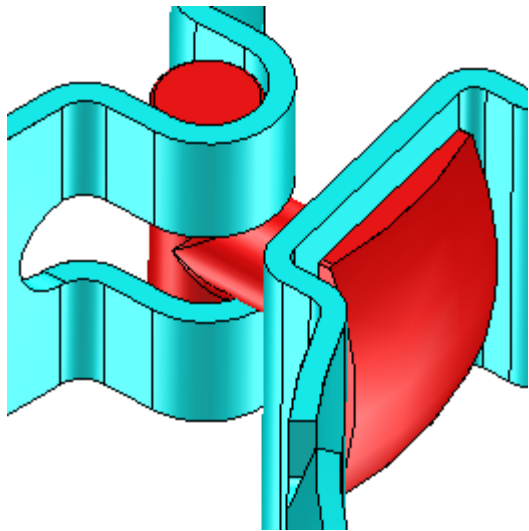
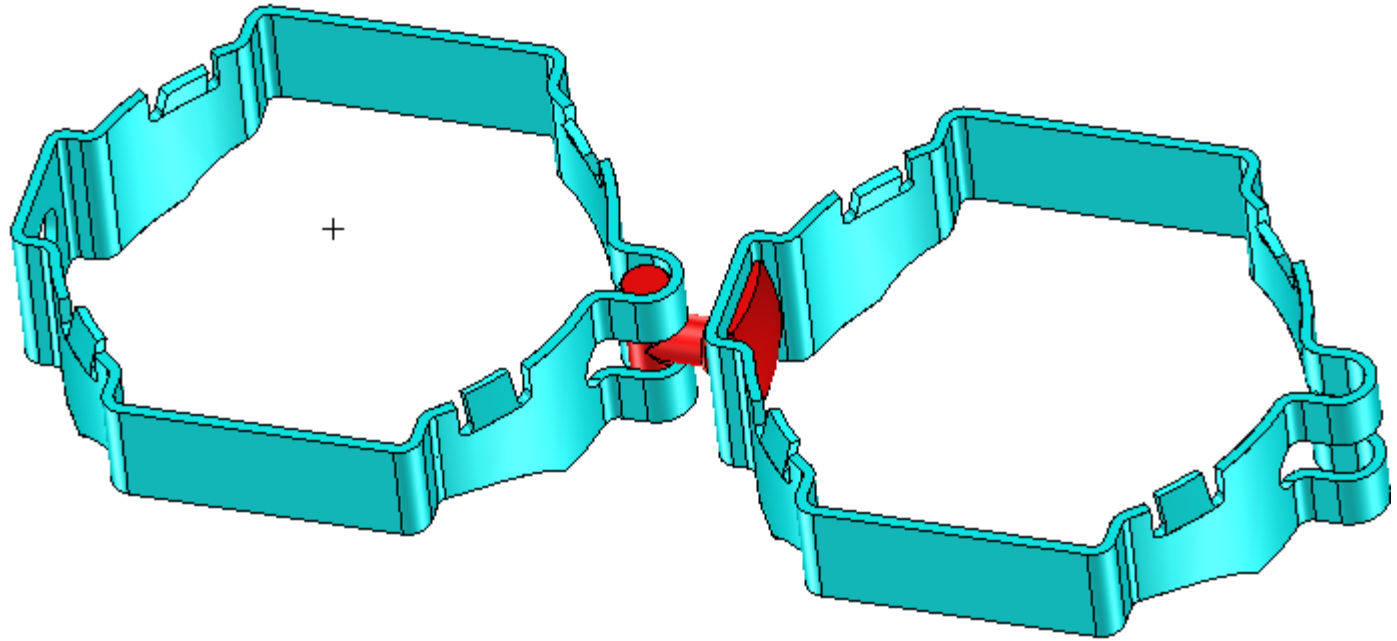
THE PIVOTING COUPLING DEVELOPMENT

- From Field Issue to Solution
 - Gather Field Issues
 - Gather Design Issues
 - Function- Ammunition, Linkage and Weapon System
 - Weapon System Limitations- Rate of Fire, Over Heating
 - Search for Solution-
 - Brainstorming
 - Analysis
 - Innovation

Ammunition Belt Assembly



Basics of Design



CONCLUSION

- **PIVOTING COUPLING**
 - Field Problem -Success
 - User Issue –Success
 - Cost Savings –Success
 - Army Invention of the Year Recipient