

# Expeditionary Warfare Conference

November 17, 2014

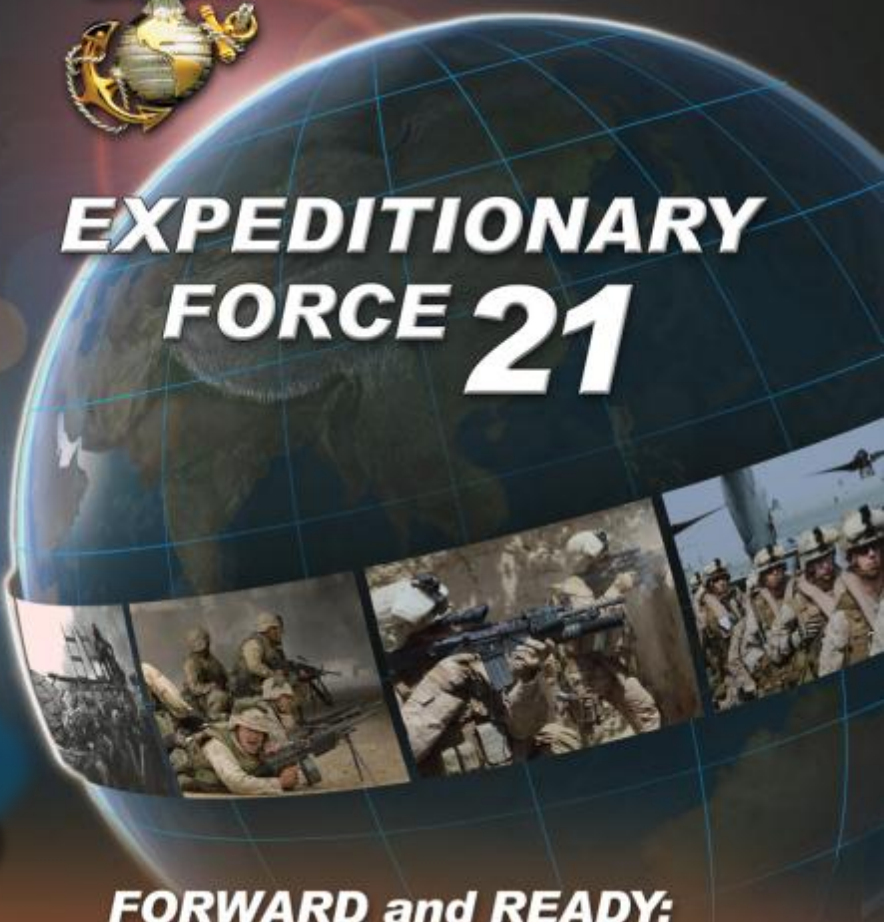
USMC Capabilities  
Development Directorate Panel

- Digital Interoperability
- Cyber & Electronic Warfare  
Coordination Center (CEWCC)

**Colonel Gregory T. Breazile, USMC**  
**Director, Command & Control /**  
**Cyber & Electronic Warfare Integration Division**



**EXPEDITIONARY  
FORCE 21**



**FORWARD and READY:  
Now and in the Future**





# C2/CEWID MISSION & FOCUS



C2/CEWID serves as HQMC's integration and execution authority for all Command & Control (C2), Cyberspace, and Electronic Warfare (EW) capabilities development activities.

C2/CEWID coordinates with the Operating Forces, Supporting Establishment, and external stakeholders in order to define capabilities, identify gaps, and support solution implementation.

## Current Focus Areas

- **C2: “Digital Interoperability”**
- **Cyber/Electronic Warfare Coordination Center**

# *Expeditionary Force 21*

## *Snapshot of current expectations*



*“CG, I MEF: As quickly as we can make happen, we need to ensure that our MAGTF & Naval Service can employ a company-sized element from SPMAGTF-CR, with a company-sized element from SPMAGTF-CENT, with a company-sized element from a MEU without stopping at an ISB, at night, and in a very complex situation IOT execute whatever America needs us to do.”*

# Expeditionary Force 21

## Current & Future Reality



26 July 2014, Marine aerial strike force embarked on MV-22s in DS of Libya NEO, including evacuating Ambassador Deborah K. Jones.



12 Aug 2014, 22d MEU/BATARG Marines operating in the Persian Gulf supporting ops N Iraq.

3 Jan 2014, Part of a Marine infantry (recon) platoon 3004 miles from its HHQ when evacuating Ambassador Susan D. Page and DoS personnel from South Sudan.

***A digitally interoperable, non-satellite dependent, MAGTF, Naval Service & Joint Force is key to thriving now and into the future***



# HQMC

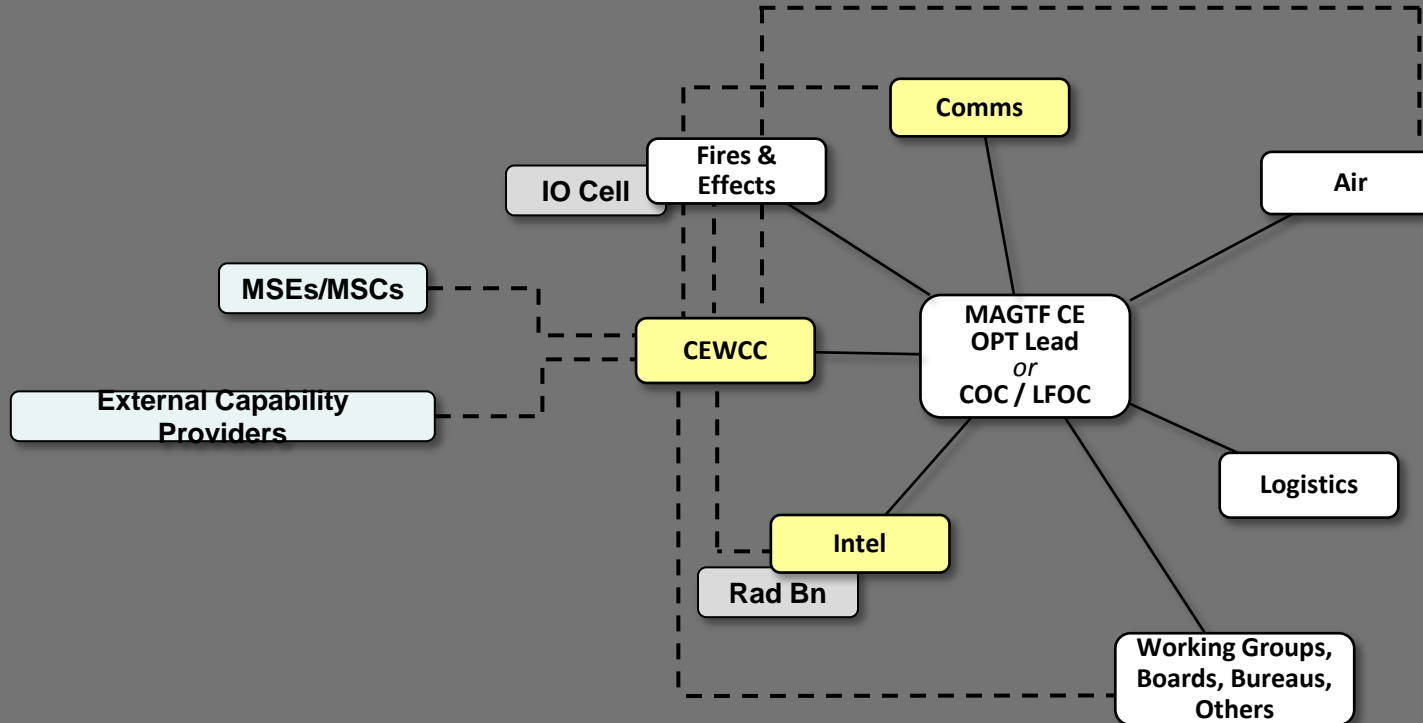
## Digital Interoperability



- Background: As the USMC continues to move to disaggregated & disconnected operations, forces will require C2 systems in a distributed environment.
  - Requires timely receipt of collected and reported information from multiple nodes
  - Includes logistics operations, cyberspace operations, air traffic control, electronic warfare, kinetic and non-kinetic targeting, fire support coordination, public affairs or information operations, and coordination with higher, adjacent, and other mission partners in the battlespace.
  - **Squad-level units require the capability to maintain awareness and leverage assets of the entire MAGTF.**
- Scope: Coordinate the actions of HQMC, the Joint Staff, supporting establishments, and Operating Forces to develop an operational architecture that supports MAGTF disaggregated & dismounted operations.
  - This operational architecture will provide the MAGTF Commander means by which to execute warfighting functions across the range of military operations.



# Cyber & Electronic Warfare Coordination Center



- (U) The CEWCC supports all warfighting functions (all require EMS)
- (U) CEWCC supports Information Operations (IO) objectives that require use of cyberspace or EMS-dependent capabilities
- (U) EWSA nodes exist within staff sections responsible for employing cyberspace and EMS-dependent operations
- (U) Further experimentation will inform ultimate USMC-wide implementation

 (U) CEWCC Related Structure



# **EXPEDITIONARY FORCE 21**

# QUESTIONS

***FORWARD and READY:  
Now and in the Future***