

PROGRAM EXECUTIVE OFFICE MISSILES AND SPACE

PSAR-16



COL James C. Mills
Project Manager
Precision Fires Rocket &
Missile Systems Project Office
16 March 2016

DISTRIBUTION STATEMENT A: Approved for Public Release; Distribution is unlimited.

PAO 89-2016, approved 11 March 16 for PUBLIC RELEASE.



UNCLASSIFIED

PEO MS Video





Program Executive Office Missiles and Space



MISSION

To Develop, Field, and Sustain Missile and Space Systems for the U.S. Army, Joint and Coalition Warfighters that Provide a Decisive Battlefield Advantage

What We Do:

- Centralized Management for All Army Tactical and Air Defense Missile Programs and Selected Army Space Programs
- Full Life-Cycle Management of Assigned Systems
- World Wide Support of Fielded Weapon Systems
- Key Link Between the User and Tech Base

What We Manage:

- Eight Project Offices
- 3 Pre-MDAP, 14 ACAT I, 5 ACAT II and 11 ACAT III Programs
- International Cooperative Development Programs

VISION

To be a Highly Efficient, Effective, Agile, and Innovative Warfighter - Focused Organization for Developing and Sustaining Missile and Space Systems

Workforce:
Government ~1100
Support Contractors ~700

FY16 Appropriated Budget
~ 3.4B

FMS: Total Case Value \$43.2B,
39 Countries

To Support the Warfighter



UNCLASSIFIED

Program Executive Office Missiles and Space Portfolio



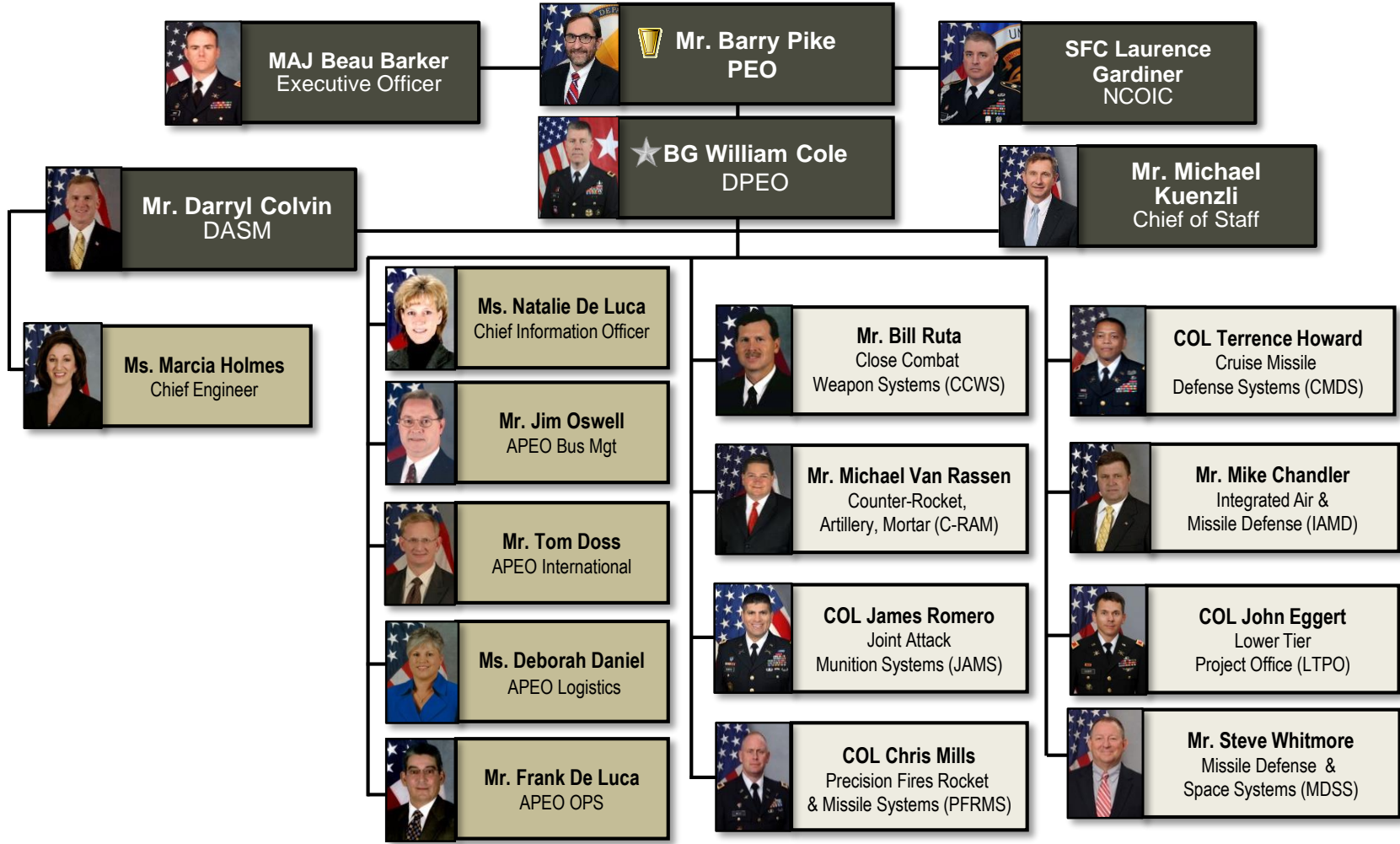
AVIATION	FIRES				MANEUVER	AIR DEFENSE & SPACE	
Joint Attack Munition Systems (JAMS)	Cruise Missile Defense Systems (CMDS)	Counter - Rocket, Artillery, Mortar (C-RAM)	Integrated Air & Missile Defense (IAMD)	Lower Tier Project Office (LTPO)	Precision Fires Rocket and Missile Systems (PFRMS)	Close Combat Weapon Systems (CCWS)	Missile Defense & Space Systems (MDSS)
 Hydra-70  Joint Air-to-Ground Missile (JAGM)  Small Guided Munitions  HELLFIRE  Launchers	 IFPC Inc 2-1  NASAMS  Sentinel  STINGER  Avenger	 C-RAM Intercept (LPWS)  RAM Warn  Air and Missile Defense Planning & Control System (AMDPCS)  Forward Area Air Defense Command & Control (FAAD C2)  AN / TPQ-53  AN / TPQ-50  AN / TPQ-37  AN / TPQ-36 Range Radar Replacement Program (RRRP)	 IAMD Battle Command System (IBCS) Engagement Operations Center (EOC)  A / B Plug & Fight Interface Kits  Integrated Fire Control Network (IFCN) Relay	 PATRIOT/ Ground Support Equipment  Lower Tier Air Missile Defense Sensor (LTAMDS)  PATRIOT Advanced Capability (PAC-3)  PAC-3 Missile Segment Enhancement (MSE)	 Guided Multiple Launch Rocket Systems (GMLRS / U / AW)  Army Tactical Missile Systems (ATACMS)  Long Range Precision Fires (LRPF)  High Mobility Artillery Rocket System (M142 HIMARS)  Multiple Launch Rocket System (M270A1 MLRS)	 JAVELIN  Tube-Launched, Optically-Tracked, Wireless-Guided (TOW)  Improved Target Acquisition System (ITAS)  Lethal Miniature Aerial Missile System (LMAMS)  Precision Fires Manager (PFM)  Containerized Weapon System (CWS)	 Medium Extended Air Defense System (MEADS)  Joint Tactical Ground Station (JTAGS) THAAD & AN / TPY-2 Sustainment Management Office (T2SMO) Space Directorate  SMDC Nanosatellite Project (SNaP-3)  Kestrel Eye (KE) Microsatellite

Any Warfighter - Anywhere - All The Time

UNCLASSIFIED
PAO 89-2016, approved 11 March 16 for PUBLIC RELEASE.



PEO Missiles and Space Organization





UNCLASSIFIED Joint Air-to-Ground Missile (JAGM)

3 Mar 2016



ACAT ID - EMD

PEO MS/PM JAMS
PM: COL James Romero

Program Description



- Provides Fire & Forget and Precision Point Targeting for use by joint service Rotary Wing and Unmanned Aircraft Systems; Destroys high value stationary, moving and relocatable land and naval targets
- Replaces expiring Longbow HELLFIRE missiles and Laser HELLFIRE missiles
- Project Manager (PM) Army JAMS, Redstone Arsenal, AL
- Prime Contractor – Lockheed Martin

Recent Milestones or Events

- 11-14 Aug 15 – EMD Contract Kickoff with Lockheed Martin
- 16 Sep 15 – Army Systems Acquisition Review Council (ASARC) Configuration Steering Board
- 23-25 Sep 15 – Test & Evaluation (T&E) Working-Level Integrated Product Team (WIPT)
- 25-28 Jan 16 – System-Level Critical Design Review (CDR) and Production Readiness Review (PRR)

Near Term Milestones or Events

- 4-8 April 16 – MQ-1C Ground Launch Test
- 3QFY16 – Ground Launched Flight Tests
- 3QFY16 – MQ-1C Proof of Principle Flight Test



Lethal Miniature Aerial Missile System

UNCLASSIFIED

ACAT III Candidate
QRC/SIP - Deployment and Sustainment

(LMAMS)

PEO MS / PM CCWS
PM: Mr. Bill Ruta



Program Description

- Organic, man-portable, direct-fire, precision-guided, loitering aerial missile system
- Capable of engaging exposed enemy personnel that otherwise cannot be engaged by typical direct fire weapon systems.
- Current candidate solution: Switchblade
 - Prime Contractor: AeroVironment, Simi Valley, CA



Recent Milestones or Events

- JUONS 0506 Mod 1- All lots of JUONS All-Up Rounds are delivered
- USFOR-A validated support requirement in Army Requirements and Resourcing Board (AR2B) through FY16

Near Term Milestones or Events

- FMS interest from Australia
- Planning contract options to sustain current capability in Afghanistan and provide options to support any future emerging requirement
- Working with Rapid Equipping Force to equip the Army's Global Response Force

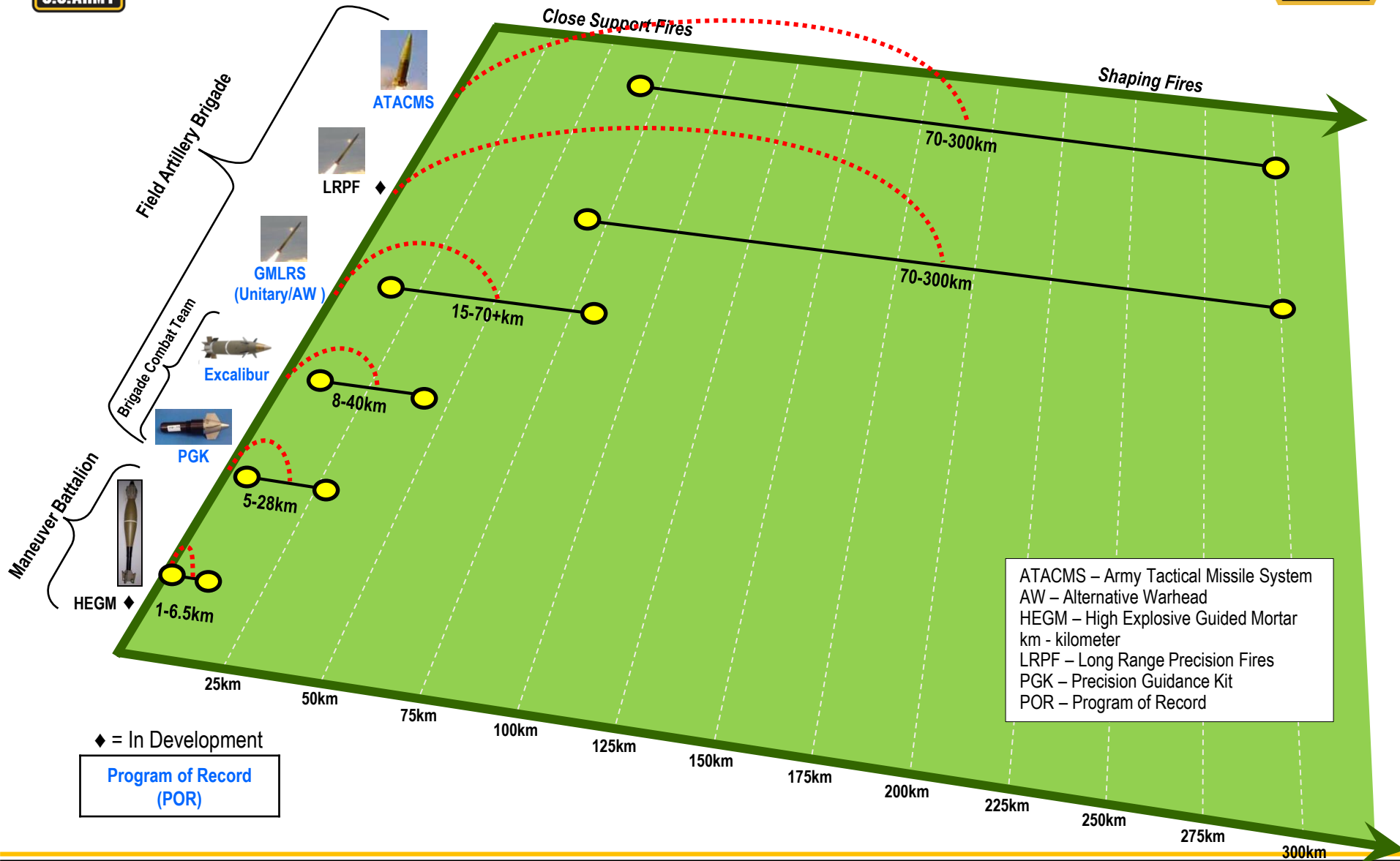
USFOR-A = United States Forces – Afghanistan





UNCLASSIFIED

Field Artillery Precision Guided Munitions



ATACMS – Army Tactical Missile System
 AW – Alternative Warhead
 HEGM – High Explosive Guided Mortar
 km - kilometer
 LRPF – Long Range Precision Fires
 PGK – Precision Guidance Kit
 POR – Program of Record



UNCLASSIFIED Guided Multiple Launch Rocket System (GMLRS) Unitary & AW

7 MARCH 2016



Program Description

- Three GMLRS variants, differentiated by warhead:
 1. GMLRS DPICM no longer in production but in inventory
 2. GMLRS Unitary in production
 3. GMLRS AW production cut-into FRP 10 in FY15
- Prime Contractor: Lockheed Martin, Dallas TX & Camden AR

Recent Milestones or Events

- June 15: AW production contract awarded
- Nov 15: DASD(DT&E) approval of TEMP
- Mar 16: IM Propulsion System qualification contract awarded

Near Term Milestones or Events

- FY16: AW Initial Operational Capability (IOC)

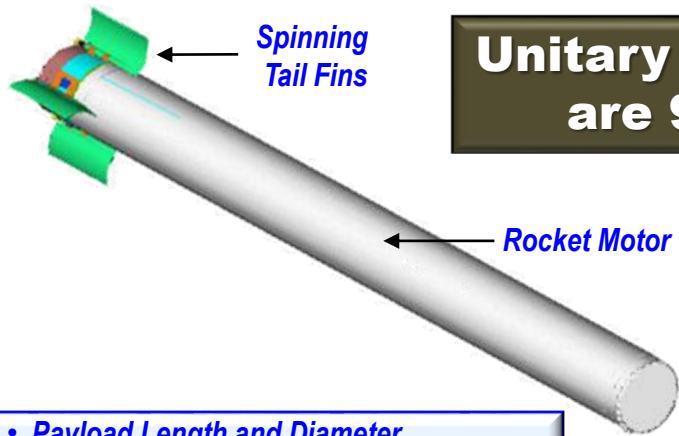




GMLRS Unitary and Alternative Warhead Commonality

UNCLASSIFIED

7 MARCH 2016



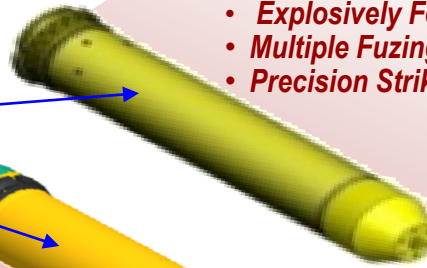
Unitary and AW Rockets are 90% common



- Payload Length and Diameter
- Outer Skin
- Electronic Safe & Arm Fuze (ESAF)
- ESAF Wiring Harness
- Forward and Aft Bulkhead and Interface
- Aft Spacer

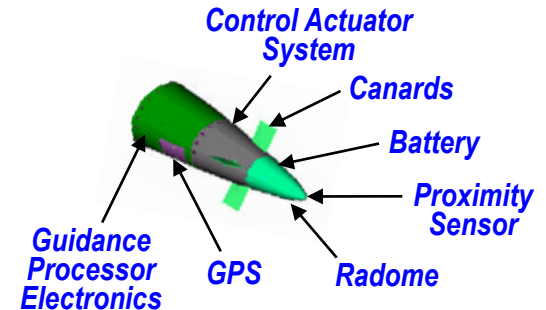
Unitary Warhead (GD-OTS)

- Explosively Formed Steel Case Fragments
- Multiple Fuzing Options
- Precision Strike with Low Collateral Damage



Alternative Warhead (ATK)

- Pre-formed Penetrators
- Insensitive Munitions Design (Blow-out Venting)
- Area and Imprecisely Located Targets



Successful AW EMD Flight Tests:
Total of 99 rockets with 99% point reliability
(98 of 99 success)

Legend:
Common Components
Unique Components

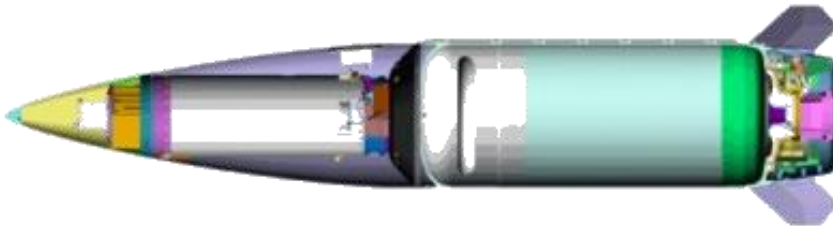




Army Tactical Missile System (ATACMS) SLEP



Program Description



- Take expired ATACMS Block I missiles and reset their shelf life.
- Replace the existing M74 bomblets with a DoD Cluster Munition policy compliant warhead.
- Refresh propellant and electronics.
- 300 km maximum range with a 500 lb warhead
- PM Precision Fires Rocket & Missile Systems (PFRMS), Redstone Arsenal, AL
- Decision Authority: PEO M&S
- Prime contractor: Lockheed Martin, Dallas TX

Recent Milestones or Events

- Sep 15: ATACMS PDR
- Oct 15: Static test of re-grained rocket motors
- Nov 15: Began modifications to Camden production facility
- Nov 15: AAE signed ADM for ACAT III designation



Near Term Milestones or Events

- May 16: SLEP Development contract definitization
- May 16: ATACMS SLEP IPR #2
- Jul 16: Flight Test #1





LRPF Increment 1 Program Overview



- **LRPF Increment 1 Description:**
 - Increment 1: 300+ km ballistic missile to replace ATACMS
 - Attack critical and time sensitive area and point targets including threat air defense, missile launchers, and assembly/staging areas
 - Services: Army Development/Production
 - Technology upgrades via Open Systems Architecture
 - Growth capabilities for follow-on increments
- **CDD Approval Status:**
 - Army approval expected 2QFY16; Document is in HQs DA staffing in support of MS A
- **ACAT Level:** Pre-MDAP (ACAT 1D)
- **MDA:** USD (AT&L); Honorable Frank Kendall
- **CAE:** ASA (ALT); Honorable Katrina McFarland
- **PEO:** Mr. Barry Pike
- **PM:** COL James Mills

ACAT – Acquisition Category
 ASA(ALT) – Assistant Secretary of the Army (Acquisition, Logistics and Technology)
 ATACMS – Army Tactical Missile System
 BG(P) – Brigadier General (promotable)
 CAE – Component Acquisition Executive
 CDD – Capability Development Document

COL - Colonel
 GPS – Global Positioning System
 HIMARS – High Mobility Artillery Rocket System
 IM – Insensitive Munition
 km – kilometer
 lb – pound
 LRPF – Long Range Precision Fires

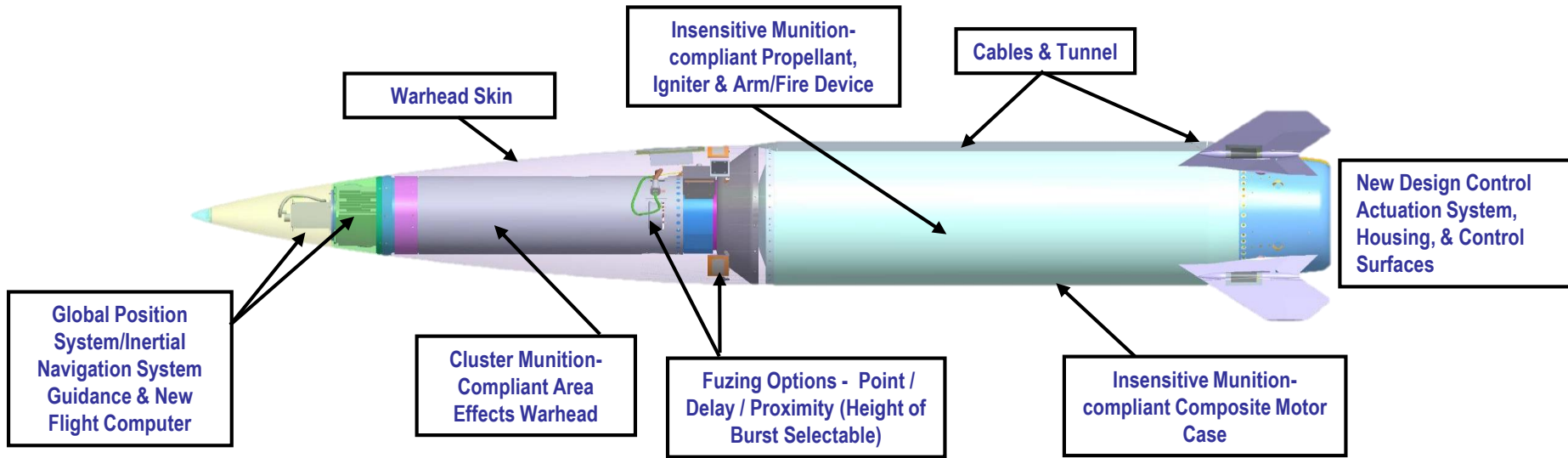
MDA – Milestone Decision Authority
 MDAP – Major Defense Acquisition Program
 PEO – Program Executive Officer
 PM – Project Manager
 QFY – Quarter, Fiscal Year
 USD(AT&L) – Undersecretary of Defense (Acquisition, Technology and Logistics)





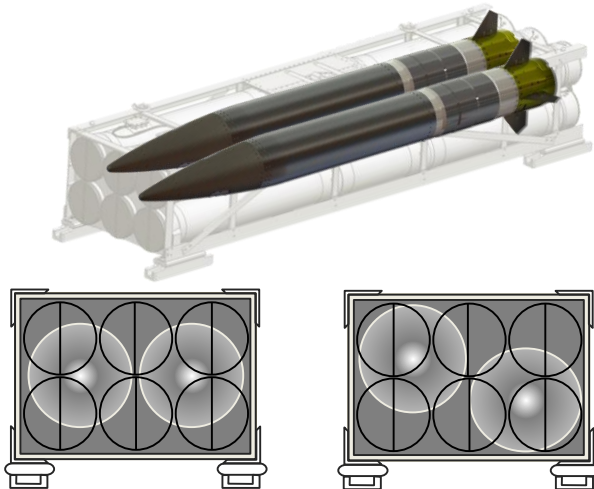
UNCLASSIFIED

LRPF Increment 1 Concept System



New Launch Pod Missile Container (LPMC)

Compatible with Current Launchers



M270A1

High Mobility Artillery Rocket System (HIMARS) M142





Questions

