

# Regional Sustainment Framework NDIA Panel

**SLIDES ONLY  
NO SCRIPT PROVIDED**

**CLEARED  
For Open Publication**

Jan 28, 2025

Department of Defense  
OFFICE OF PREPUBLICATION AND SECURITY REVIEW



As of January 27, 2025

Distribution Statement A, Cleared for Public Release, Distribution Unlimited





Cleared for Public Release

# Panel Introductions



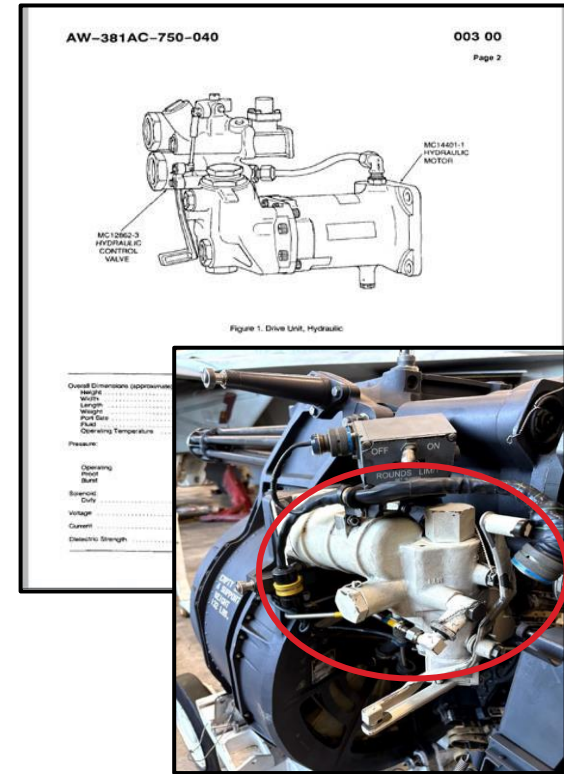
- Joe Brooks, SES – Executive Director for Regional Sustainment – OASD Sustainment (Moderator)
- Ms. Belinda Templeman – Minister Counsellor Defence Materiel, Embassy of Australia
- Brigadier General Brian Moore, USAF – Commander, Oklahoma City Air Logistics Complex
- Colonel Kevin Sampels, USAF (Ret) – Vice Chair, NDIA Logistics Division
- Colonel Anthony Manuel, USMC (Ret) – Senior Business Development Manager, Collins Aerospace



# History



- **Post Cold War Consolidation Norm – Retrograde materials**
- **2019 – Australia-United States Ministerial Consultations (AUSMIN) Defense Advanced Capability Committee (ADACC) case study**
  - 399 FMS cases reviewed for common components
  - **F/A-18 Gun Drive Motor** (GDM) selected
- **June 2022 – Lessons learned presented; led to:**
  - ***DoD's Regional Sustainment Framework*** (RSF) - May 2024
  - ***DoD's Regional MRO Playbook*** – Aug 2024



**Co-Sustainment Defined:** The enduring collaboration among allies and partners to enable effective and efficient logistics, sustainment activities, and personnel services to operationally maintain defense platforms, systems, sub-systems, or components...used alongside terms "Co-Development, and "Co-Production"



Cleared for Public Release

# Enter Regional Sustainment



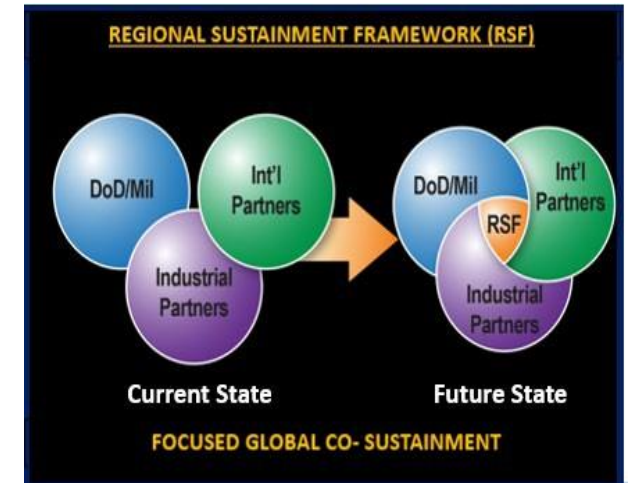
**Strategic Goal:** Advance co-sustainment with the goal of regenerating readiness closer to the point of need. Counter contested logistics.

## RSF Supports Wider Strategy

- National Defense Authorization Act 2023 §842
- National Defense Strategy & Defense Industrial Base Strategy

## Objectives

- Prevail in Contested Logistics
- Enhance Readiness
- Strengthen Partnerships
- Regional Prioritization
- Align Partnerships
- Integrate the Industrial Base



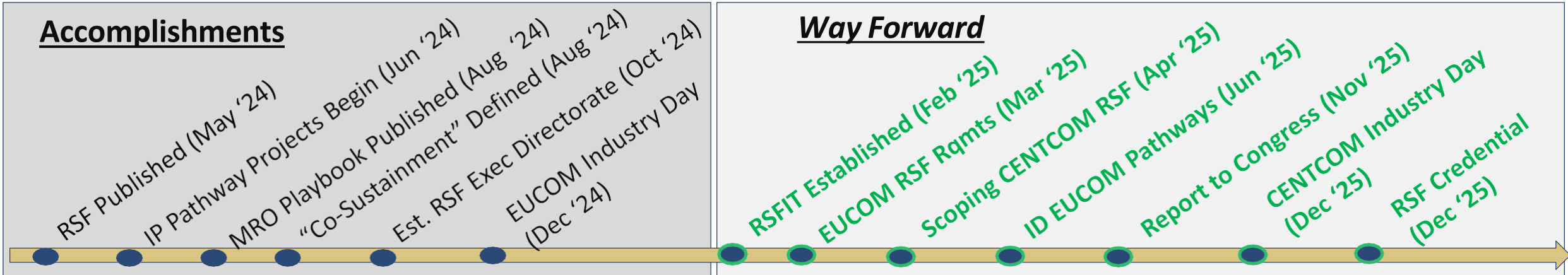
## RSF Counters Contested Logistics



# Getting to a Future State



## Governance body established: RSF Implementation Team – OSD/JS Co-Chair



**§842 tasks DoD with providing lessons learned, recommendations, and future improvements**

**Potential RSF end-state** - Achieve an integrated and resilient defense posture closer to the points of need through globally synchronized regional sustainment capabilities tied to CCMD strategies that leverage the capacity, investment, and strengths of the US, Allies, and industrial partners.



# Discussion



- Why is RSF necessary?
- What is the DoD's role in RSF?
- What is the role of U.S. Allies and Partners in RSF?
- What role does industry play in RSF?
- What are the other RSF stakeholders and what is their role?
- What will be the most significant obstacle to the collective implementation of RSF?

# Questions



For more information...

- Regional Sustainment 2024 - <https://www.acq.osd.mil/asds/docs/RSF-9MAY24.pdf>
- RSF Video - [https://media.dau.edu/media/t/1\\_5eo5tyo7/62958791](https://media.dau.edu/media/t/1_5eo5tyo7/62958791)

**Distribution Statement A, Cleared for Public Release, Distribution Unlimited**